



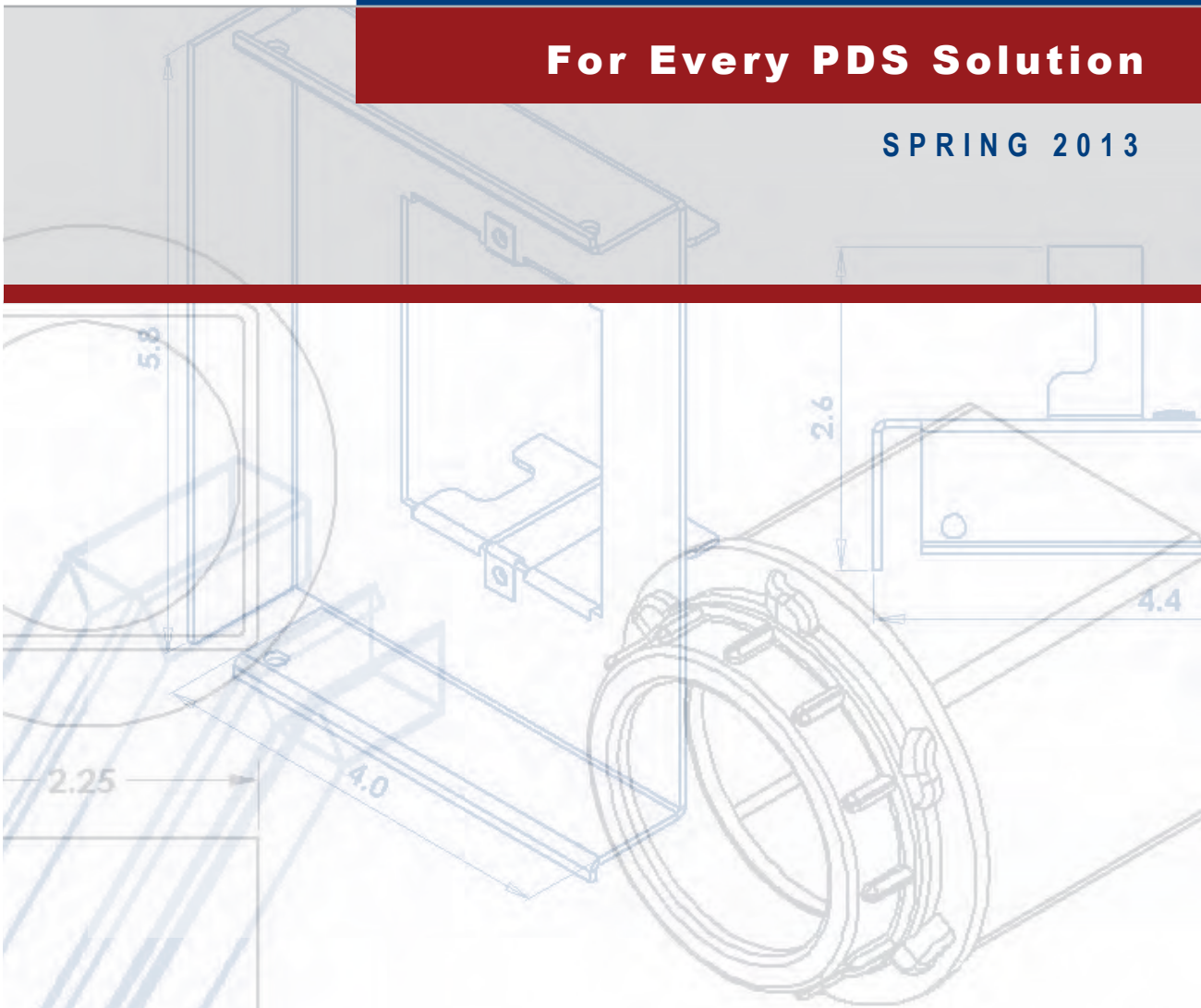
HOLOCOM[®]

**THE PATHWAY TO
CLASSIFIED NETWORKS[™]**

PRODUCT CATALOG

For Every PDS Solution

SPRING 2013



HOLOCOM – THE SINGLE SOURCE FOR ALL PDS SOLUTIONS

Holocom, well-known for its industry standard hardened carrier protective distribution system (PDS), has expanded its offering to meet the increasing diversification of PDS requirements for DoD and other agencies needing to secure their network infrastructure against physical intrusion. Holocom is now the only manufacturer to offer all four PDS solutions approved for SIPRNet and other classified networks:

- Hardened Carrier - *de facto* standard Holocom PDS
- Hardened Carrier **plus** alarm for fiber & copper networks
- Alarm **plus** interlocking armored fiber cable
- Retrofit alarm to bring non-compliant PDS into compliance

With its expanded product offering, Holocom is continuing its tradition of offering customers PDS solutions that reduce life cycle costs.

Holocom designed and engineered its hardened carrier PDS to specifically improve upon the limitations of the original hardened carrier – raw steel pipe (EMT). Holocom enables moves, adds, and changes (MACs) to an existing network, lower installation labor costs, a true technical inspection of the network post installation, and drastically improves the appearance of the hardened carrier – all while complying with the strict security requirements of NSTISSI 7003.

Holocom offers the lowest cost and widest range of Alarm Carrier PDS options in the industry. Working with Fiber SenSys®, the leader in fiber-optic sensor technology, Holocom provides the best of alarm PDS technology including advanced tuning and calibration software that learns your environment for the elimination of nuisance alarms.

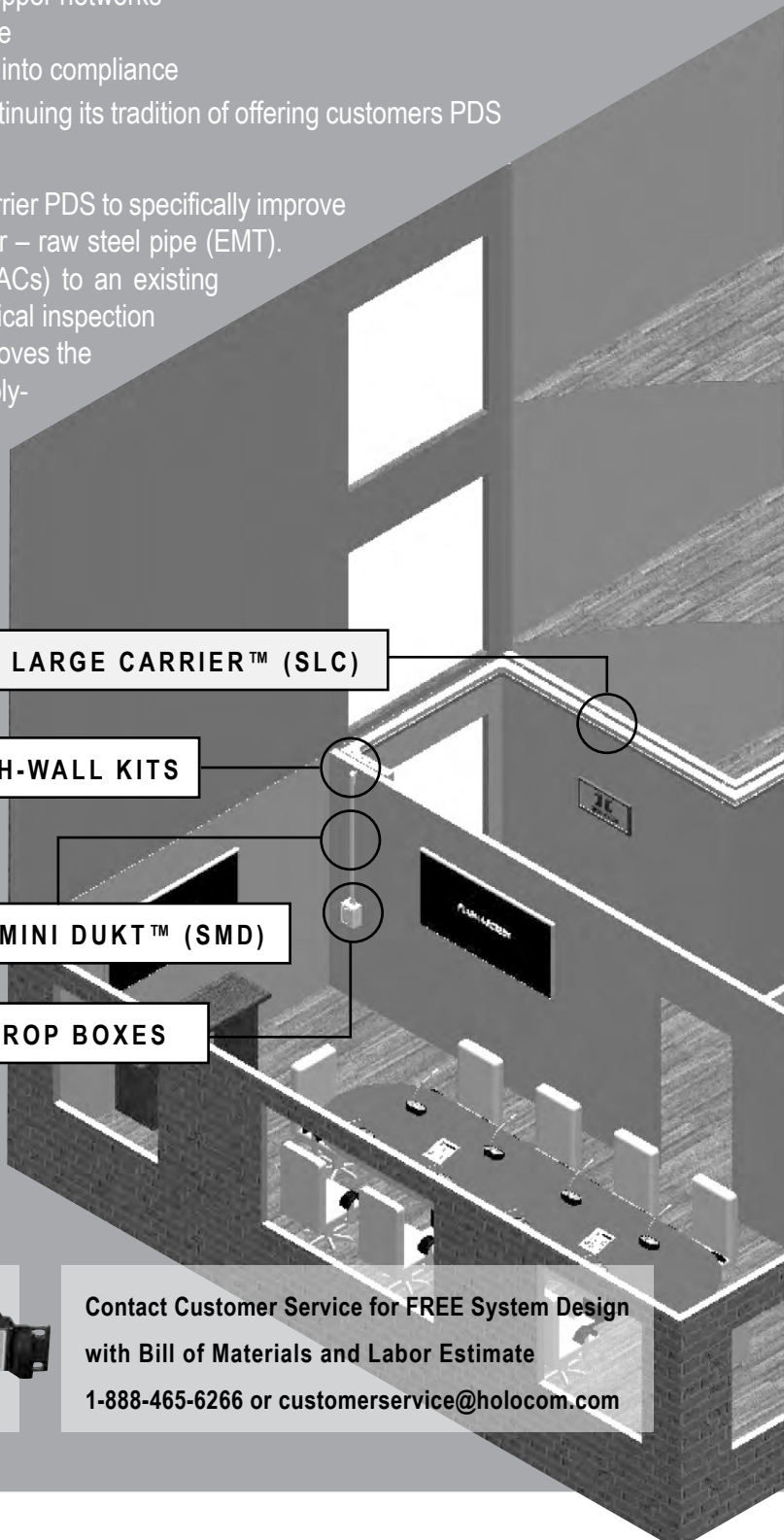
Holocom tailors its services to meet project requirements and always offers free system design for government customers. This ensures and accurate bill of materials (BOM) and labor estimate to support budgeting. Holocom also provides installation/design/project management training and certification, and has installation partners worldwide.

SECURE LARGE CARRIER™ (SLC)

THROUGH-WALL KITS

SECURE MINI DUKT™ (SMD)

USER DROP BOXES



HC508 is one of three Alarm Carrier options.

Contact Customer Service for FREE System Design with Bill of Materials and Labor Estimate
 1-888-465-6266 or customerservice@holocom.com



Use the following technical guides for reference:

- National Security Agency (NSA) - NSTISSI No. 7003, 13 December 1996
- U.S. Army Information Systems Engineering Command (ISEC) - SIPRNET Technical Implementation Criteria, Version 6, October 2010
- Air Force Systems Security Instruction AFSSI 7003, August 2008, ESIM 2009-01 AFMAN 33-201
- U.S. Navy and U.S. Marine Corps IA Publication 5239-22, October 2003

ENCLOSURES

SEC-WM-UDB-H1	User Drop Box	2
SEC-WM-UDB2-H1	User Drop Box (UDB2)	2
SEC-WM-UDB3-H1	User Drop Box (UDB3)	2
SEC-WM-764-H1	764 High Security Enclosure	3
SEC-WM-885-H1	High Security Enclosure	3
SEC-WM-04U-H1	Secure Wall Mount Enclosure - 4U Depth	3
SEC-WM-PB1-H1	High Security Pull Box	4
SEC-WM-PB2-H1	High Security Pull Box	4
SEC-WM-PB3-H1	High Security Pull Box	4
SEC-WM-PB5-H1	High Security Pull Box	5
SEC-WM-PB9-H1	High Security Pull Box	5
SEC-WM-764-H5	High Security Enclosure	5
SEC-WM-885-H5	High Security Enclosure	6
SEC-WM-PB1-H5	High Security Pull Box	6
SEC-WM-PB2-H5	High Security Pull Box	6
SEC-WM-PB3-H5	High Security Pull Box	7
SEC-WM-PB4-H5	High Security Pull Box	7
SEC-WM-118-H5	High Security Pull Box	7
SAP-IM-SE1-H1	IPS Junction Box	8
SEC-WM-EXT1-H1	Exterior Building Communications Enclosure	8

SECURE DISTRIBUTION SYSTEM (SDS)

2"x 2" SECURE RACEWAY

SDS-WM-RCW-ST	Secure Raceway – Steel	9
SDS-WM-RCW-ST-05	Secure Raceway – Steel 50 Feet	9
SDS-WM-RCW-AL	Secure Raceway – Aluminum	9
SDS-LK-KIT-ST	Steel Locking Kit	10
SDS-CT-EE6-ST	End-To-End Connector	10

CONNECTORS

SDS-CT-UNI	Universal Connector	11
SDS-WM-REC	Run End Connector	11
SDS-CT-INF-ST	Interface Sleeve	11
SDS-CT-INF-90	90° Interface Sleeve	12
SDS-CT-090	90° Connector	12
SDS-CT-90i	90° Internal Connector	12

SECURE DISTRIBUTION SYSTEM (SDS) CONTINUED

SDS-CT-90e	90° External Connector	13
SDS-CT-3IN	Internal Three-Way Connector	13
SDS-CT-3WY	Three-Way Connector	13
SDS-CT-OFF-04	Offset Connector 4 Inch	14
SDS-CT-OFF-08	Offset Connector 8 Inch	14
SDS-CT-COL-01	Column Connector 4 Inch	14
SDS-CT-COL-02	Column Connector 8 Inch	15
SDS-CT-45i	45° Internal Connector	15
SDS-CT-45e	45° External Connector	15


THROUGH-WALL KITS

SDS-TW-001-12/24	#1 Through-Wall Kit	 16
SDS-TW-002-12/24	#2 Through-Wall Kit	 16
SDS-TW-004-12/24	#4 Through-Wall Kit	17
SDS-TW-005-12/24	#5 Through-Wall Kit	 17

ATTACHMENT KITS

SDS-RW-AKT-03	Raceway Attachment Kit	18
SDS-HW-GYP-02	Gypsum Hardware Kit	18
SDS-HW-CON-02	Concrete Hardware Kit	18

ACCESSORIES

SDS-IN-RTF	Retrofit Insert - Back Plate	19
SDS-IN-RTF-02	 Retrofit Insert - Back Plate (RTF2)	19
SLD-RTF-764	Retrofit Slam Lock Door	19
SDS-RW-CMB	Cable Management Bracket	20
SDS-LK-SGL	Sargent And Greenleaf® Lock	20
SDS-RW-PNT	Secure Raceway Touch-Up Paint	20
SDS-TL-HHP	Secure Raceway Punch Tool	21
SDS-GN-EXY	Epoxy Gun	21
SDS-332781	Secure Raceway 3M™ Epoxy	21
SDS-332784	Epoxy Nozzle	21
SDS-RW-SRJ	Secure Raceway Joint	22
SDS-RW-BRG	Secure Raceway Joint Kit	22
SDS-RW-SPR-WT	Secure Raceway Spacers White	22
SDS-RW-SPR-WT6	6" Secure Raceway Spacer White	22
SDS-1003572	4.5" Trim Ring	23



HOLOCOM PDS PRODUCT LISTING

















SECURE DISTRIBUTION SYSTEM (SDS) CONTINUED

SDS-1004527	4.5" Round Trim Ring	23
SDS-1004526	3.25" Trim Ring	23
SDS-2002797	2" Trim Ring	24
SDS-1002797	Interface Sleeve Reducing Washer	24

SECURE MINI DUKT™

SMD-WM-T50	Tube	26
SMD-WM-MB	Mounting Bracket	26
SMD-MB-3WY	 Mounting Bracket Three-way Connector	26
SMD-CT-3WY	Reducing Three-way Connector	27
SMD-3WY-REC-LT	Three-way Run End Connector Left	27
SMD-3WY-REC-RT	Three-way Run End Connector Right	27
SMD-CT-INF	Interface Sleeve	27
SMD-CT-INF-90	90° Interface Sleeve	28
SMD-CT-090	90° Connector	28
SMD-CT-90C	 90° Corner Connector	28
SMD-TW-006-12/24	#6 Through-Wall Kit	29
SMD-TW-007-12/24	#7 Through-Wall Kit  <small>updated design</small>	29
SMD-GYP-AKT	Gypsum Attachment Kit	29
SMD-CON-AKT	Concrete Attachment Kit	30

SECURE LARGE CARRIER™

SLC-RCW-ST-20	 Raceway & TopCap Kit	32
SLC-WM-MB	 Mounting Bracket	32
SLC-RW-SRJ	 Secure Raceway Joint	32
SLC-LK-KIT	 Lock Kit	33
SLC-CT-EE6	 End-to-End Connector	33
SLC-WM-PBO-H1	 Pull Box 0	33
SLC-CT-90i	 90° Internal Connector	34
SLC-CT-90e	 90° External Connector	34
SLC-CT-REC-LT	 Run End Connector Left	34
SLC-CT-REC-RT	 Run End Connector Right	34
SLC-TWK-REC-LT	 Through-Wall Run End Connector Left	35
SLC-TWK-REC-RT	 Through-Wall Run End Connector Right	35
SLC-TWK-TP	 Through-Wall Trim Plate Kit	35
SLC-SMD-DP	 SMD Drop Connector	35
SLC-RTF-INF-LT	 Retrofit Interface Sleeve Left	36
SLC-RTF-INF-RT	 Retrofit Interface Sleeve Right	36

Rev. 05.02.13

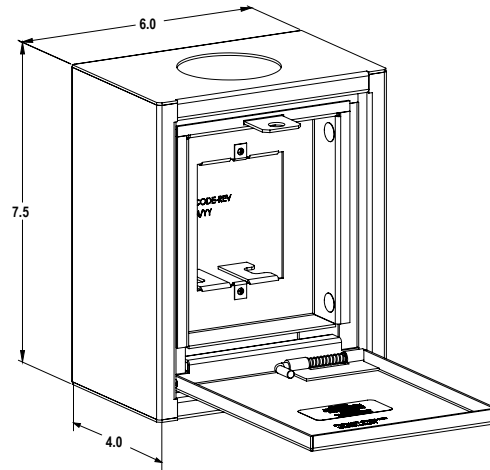
NOTES:



USER DROP BOX (UDB)**PRODUCT CODE
SEC-WM-UDB-H1**

The High Security User Drop Box (UDB) provides physical security for single or multiple network connections. The UDB mounts securely on walls and restricts access to the cable termination point. Built-in back plate¹ and cable manager, manufactured mounting points, and INF-ready top opening reduce installation time. The door locks securely using Holocom's patented locking system and a Sargent & Greenleaf[®] padlock (Page 20).

- ENCLOSURE**
- Height 7.5" x Width 6" x Depth 4"
 - 16-gauge electro-galvanized steel
 - Weight 4.0 lbs
 - 2 3/8" diameter opening - ready for INF and raceway attachment
 - Two labor-saving, manufactured mounting points
 - Powder Coat Finish: White Textured
- DOOR ASSEMBLY**
- Single drop-down door with security padlock hasp
 - Tamper resistant design with welded internal spring hinge
- BACK PLATE**
- Integrated tension relief cable management wrap
 - Removable

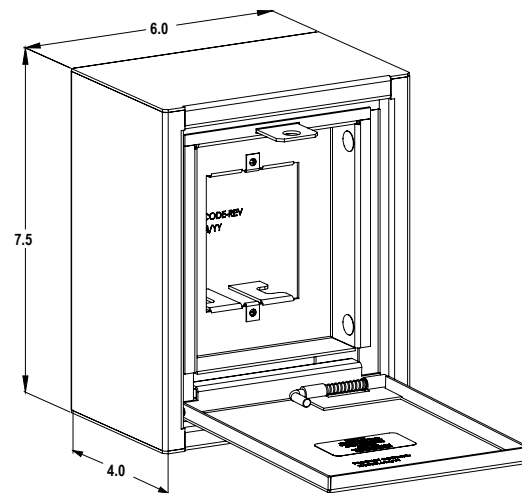


¹Compatible with most US single-gang faceplates. Angled connectors recommended.

USER DROP BOX (UDB2)**PRODUCT CODE
SEC-WM-UDB2-H1**

The 16-gauge High Security User Drop Box 2 (UDB2) provides physical security for single or multiple network connections. The UDB2 mounts securely on walls and restricts access to the cable termination point. The UDB2 is manufactured without a top opening enabling installers the choice of mounting orientation. Built-in back plate¹, cable manager, and manufactured mounting points reduce installation time. Door locks securely using Holocom's patented locking system and Sargent & Greenleaf[®] padlock (Page 20).

- ENCLOSURE**
- Height 7.5" x Width 6" x Depth 4"
 - 16-gauge electro-galvanized steel
 - Weight 4.0 lbs
 - Two labor-saving, manufactured mounting points
 - Powder Coat Finish: White Textured
- DOOR ASSEMBLY**
- Single drop-down door with security padlock hasp
 - Tamper resistant design with welded internal spring hinge
- BACK PLATE**
- Integrated tension relief cable management wrap
 - Removable
- ACCESSORIES**
- Sargent & Greenleaf[®] padlock (supplied separately)

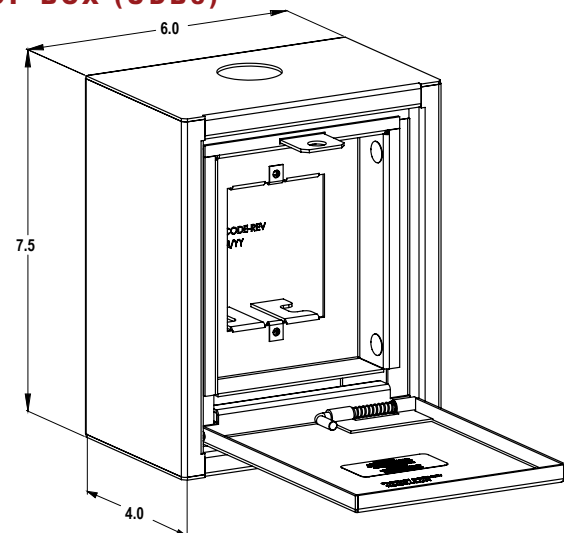


¹Compatible with most US single-gang faceplates. Angled connectors recommended.

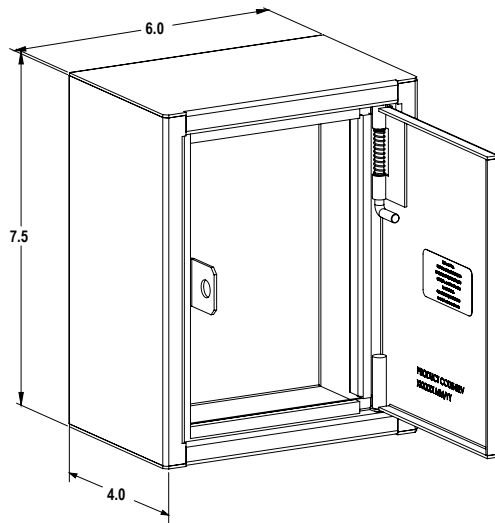
USER DROP BOX (UDB3)**PRODUCT CODE
SEC-WM-UDB3-H1**

The User Drop Box 3 (UDB3) provides physical security for single or multiple network connections and was designed specifically to use with Holocom Secure Mini Dukt™. The UDB3 mounts securely on walls and restricts access to the cable termination point. The top opening perfectly positions Secure Mini Dukt™ for a one-inch standoff using Secure Raceway Spacers (SDS-RW-SPR-WT and in kits SDS-RW-AKT-02/03). Built-in back plate¹, cable manager, and manufactured mounting points provide installation efficiency. Door locks securely using Holocom's patented locking system and Sargent & Greenleaf[®] padlock (Page 20).

- ENCLOSURE**
- Height 7.5" x Width 6" x Depth 4"
 - 16-gauge electro-galvanized steel
 - Weight 4.0 lbs
 - 1" NPT opening for Secure Mini Dukt™ installation
 - Two labor-saving, manufactured mounting points
 - Powder Coat Finish: White Textured
- DOOR ASSEMBLY**
- Single drop-down door with security padlock hasp
 - Tamper resistant design with welded internal spring hinge
- BACK PLATE**
- Integrated tension relief cable management wrap
 - Removable
- ACCESSORIES**
- Sargent & Greenleaf[®] padlock (supplied separately)



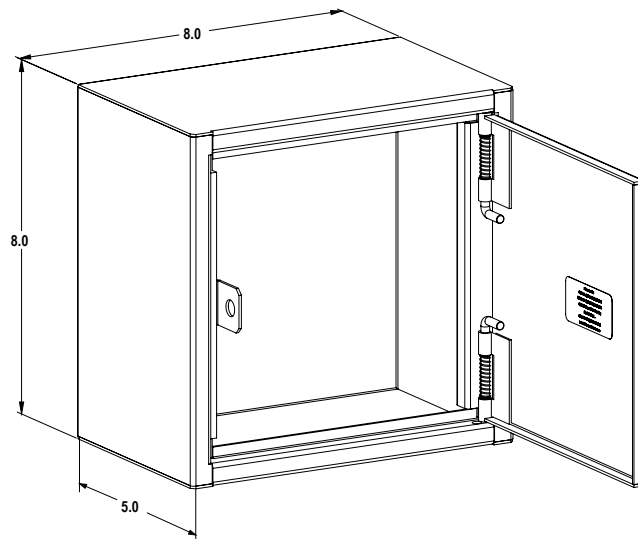
¹Compatible with most US single-gang faceplates. Angled connectors recommended.

HIGH SECURITY ENCLOSURE**PRODUCT CODE
SEC-WM-764-H1**

The High Security 764 Enclosure can be mounted on walls or desktops and provides physical security for surface mount boxes or any other connection point. The 764 Enclosure also may be used as a small pull box within the Holocom PDS. The Retrofit Insert—Back Plate (SDS-IN-RTF) may be used in conjunction with this enclosure thereby eliminating the need to order and install surface mount boxes. The Retrofit Insert also reduces installation time and provides a cleaner look inside the enclosure. The door securely locks using Holocom's patented locking system and the Sargent and Greenleaf® padlock (Page 20) ¹.

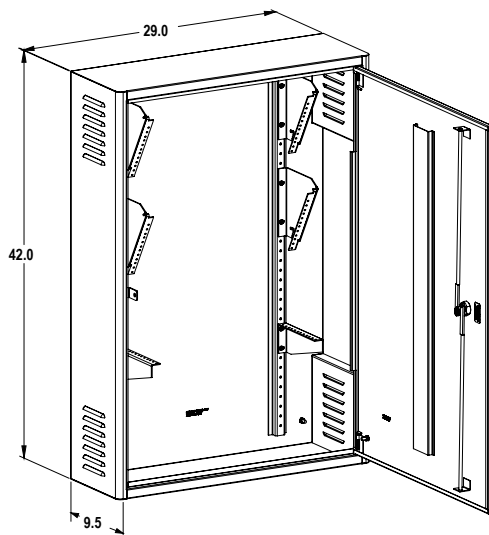
- Height 7.5" x Width 6" x Depth 4"
- 16-gauge electro-galvanized steel
- Weight: 4 lbs
- Single door with security padlock hasp
- Tamper-resistant design with welded internal hinges
- Fits with Retrofit Insert—Back Plate (SDS-IN-RTF)
- Powder Coat Finish: White Textured

¹ See SLD-RTF-764 in Accessories (Page 19) for alternate door choice.

HIGH SECURITY ENCLOSURE**PRODUCT CODE
SEC-WM-885-H1**

This 16-gauge High Security Enclosure can be mounted on walls or desktops and provides physical security for surface mount boxes or any other connection point. The Retrofit Insert—Back Plate 2 (RTF2) was designed specifically to fit inside the 885-H1 Enclosure (Page 19). The 885 Enclosure also may be used as a small pull box within the Holocom PDS. The door securely locks using Holocom's patented locking system and the Sargent and Greenleaf® padlock (Page 20).

- Height 8" x Width 8" x Depth 5"
- 16-gauge electro-galvanized steel with welded seams
- Weight: 6 lbs
- Single door with security padlock hasp
- Tamper resistant design with welded internal hinges
- Fits with Retrofit Insert—Back Plate 2 (Page 19)
- Powder Coat Finish: White Textured

SECURE WALL MOUNT ENCLOSURE - 4U DEPTH**PRODUCT CODE
SEC-WM-04U-H1**

The lockable "04U" enclosure mounts on a wall and serves as a mini-telecommunications room. It includes two (2) patch panel brackets and one (1) equipment bracket that can accommodate up to 4U of active electronics. The 04U can be used for termination and distribution/routing of high-security communications systems in a classified environment and is an excellent substitute for traditional 19" racks. It is designed to house telecom equipment and prevent unauthorized access.

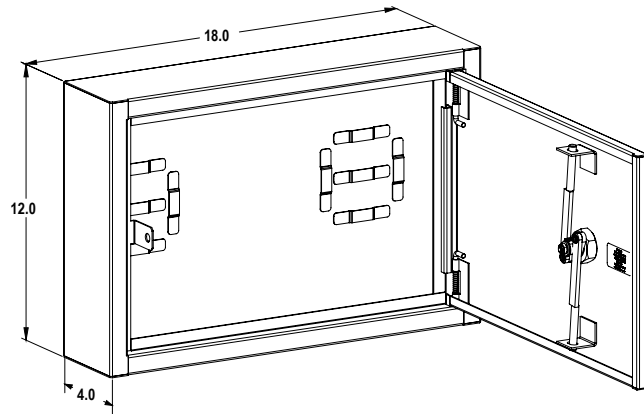
- Height 42" x Width 29" x Depth 9.5"
- 16-gauge electro-galvanized steel with welded seams
- Weight: 94 lbs
- Single door with 3-point locking system and padlock hasp for Sargent & Greenleaf® padlock (Page 19)
- Tamper-resistant design with welded internal hinges
- Two (2) – 4U patch panel brackets
- One (1) – 4U equipment bracket
- Protected venting louvers
- Powder Coat Finish: White Textured
- Fan kit accessory sold separately (AGW-FANKITR)

HIGH SECURITY PULL BOX

PRODUCT CODE
SEC-WM-PB1-H1

This 16-gauge High Security Pull Box enclosure mounts securely to walls and was designed to protect classified cabling and allow for the proper amount of cable loop within the enclosure. The door securely locks using Holocom's patented locking system and the Sargent and Greenleaf® padlock (Page 20).

- Height 12" x Width 18" x Depth 4"
- 16-gauge electro-galvanized steel with welded seams
- Weight: 15 lbs
- Single door with 3-point security and padlock hasp
- Tamper-resistant design with welded internal hinges
- Powder Coat Finish: White Textured

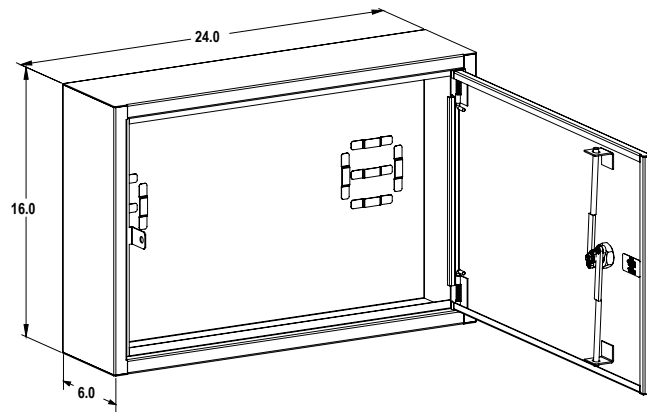


HIGH SECURITY PULL BOX

PRODUCT CODE
SEC-WM-PB2-H1

This 16-gauge High Security Pull Box enclosure mounts securely to walls and was designed to protect classified cabling and allow for the proper amount of cable loop within the enclosure. The door securely locks using Holocom's patented locking system and the Sargent and Greenleaf® padlock (Page 20).

- Height 16" x Width 24" x Depth 6"
- 16-gauge electro-galvanized steel with welded seams
- Weight: 26 lbs
- Single door with 3-point security and padlock hasp
- Tamper-resistant design with welded internal hinges
- Powder Coat Finish: White Textured

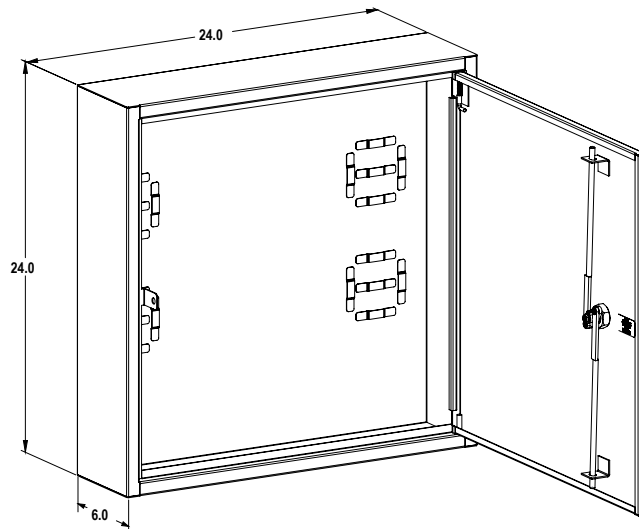


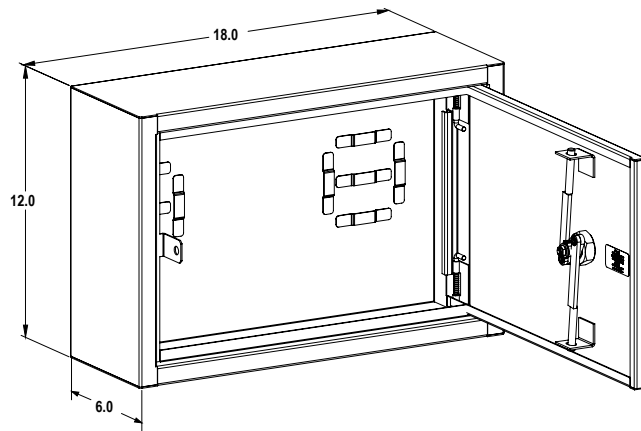
HIGH SECURITY PULL BOX

PRODUCT CODE
SEC-WM-PB3-H1

This 16-gauge High Security Pull Box enclosure mounts securely to walls and was designed to protect classified cabling and allow for the proper amount of cable loop within the enclosure. The door securely locks using Holocom's patented locking system and the Sargent and Greenleaf® padlock (Page 20).

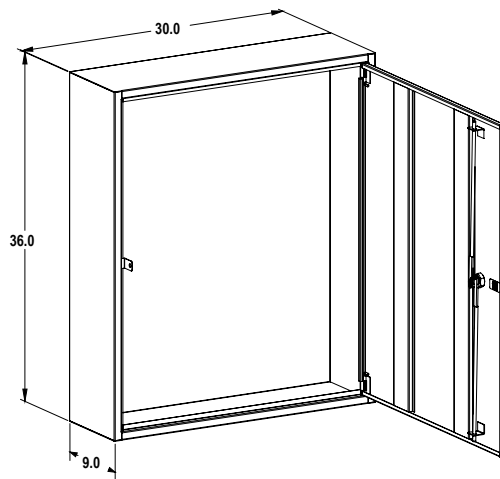
- Height 24" x Width 24" x Depth 6"
- 16-gauge electro-galvanized steel with welded seams
- Weight: 35 lbs
- Single door with 3-point security and padlock hasp
- Tamper-resistant design with welded internal hinges
- Powder Coat Finish: White Textured



HIGH SECURITY PULL BOX**PRODUCT CODE
SEC-WM-PB5-H1**

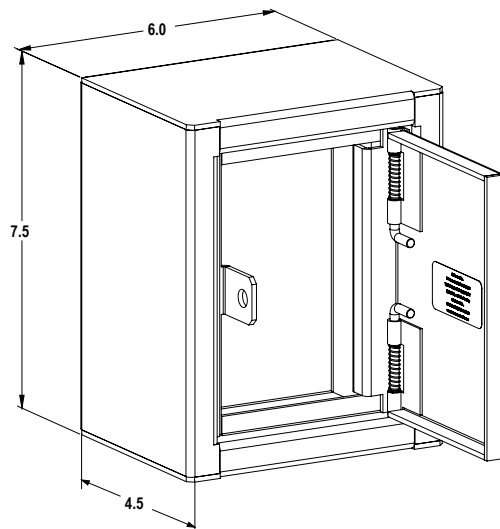
This 16-gauge High Security Pull Box enclosure mounts securely to walls and was designed to protect classified cabling and allow for the proper amount of cable loop within the enclosure. The door securely locks using Holocom's patented locking system and the Sargent and Greenleaf® padlock (Page 20).

- Height 12" x Width 18" x Depth 6"
- 16-gauge electro-galvanized steel with welded seams
- Weight: 17 lbs
- Single door with 3-point security and padlock hasp
- Tamper-resistant design with welded internal hinges
- Powder Coat Finish: White Textured

HIGH SECURITY PULL BOX**PRODUCT CODE
SEC-WM-PB9-H1**

This 16-gauge High Security Pull Box enclosure mounts securely to walls and was designed to protect classified cabling. Due to the larger dimensions, the PB9-H1 Enclosure also may be used for passive equipment with added Patch Panel Bracket (MBK-PP-04U-01). The door securely locks using Holocom's patented locking system and the Sargent and Greenleaf® padlock (Page 20).

- Height 36" x Width 30" x Depth 9"
- 16-gauge electro-galvanized steel with welded seams
- Weight: 69 lbs
- Single door with 3-point security and padlock hasp
- Tamper-resistant design with welded internal hinges
- Powder Coat Finish: White Textured

HIGH SECURITY ENCLOSURE**PRODUCT CODE
SEC-WM-764-H5**

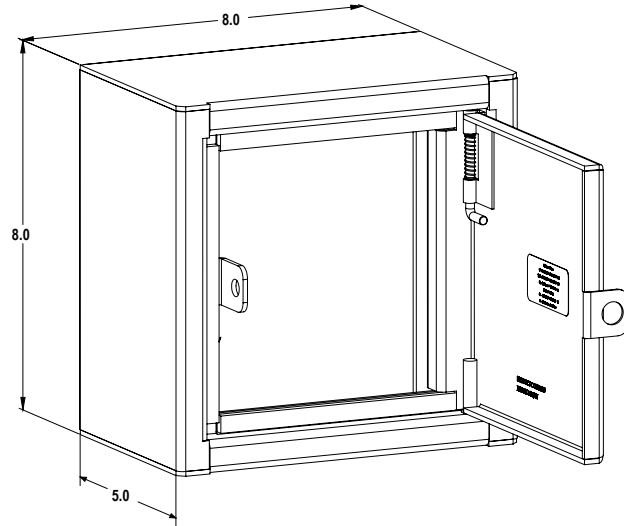
This 12-gauge High Security Enclosure can be mounted on walls or desktops and provides physical security for surface mount boxes or any other connection point. The door securely locks using Holocom's patented locking system and the Sargent and Greenleaf® padlock (Page 20).

- Height 7.5" x Width 6" x Depth 4.5"
- 12-gauge electro-galvanized steel
- Weight: 7 lbs
- Single door with security padlock hasp
- Tamper-resistant design with welded internal hinges
- Powder Coat Finish: White Textured

HIGH SECURITY ENCLOSURE**PRODUCT CODE
SEC-WM-885-H5**

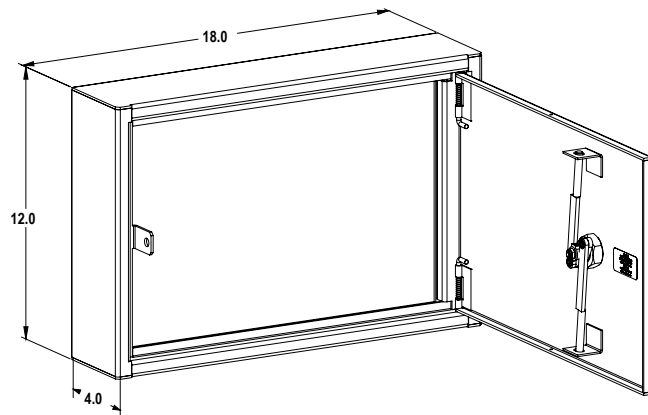
This 12-gauge High Security Enclosure can be mounted on walls or desktops and provides physical security for surface mount boxes or any other connection point. The 885 Enclosure also may be used as a small pull box within the Holocom PDS. The door securely locks using Holocom's patented locking system and the Sargent and Greenleaf® padlock (Page 20).

- Height 8" x Width 8" x Depth 5"
- 12-gauge electro-galvanized steel with welded seams
- Weight: 10 lbs
- Single door with security padlock hasp and pull tab
- Tamper resistant design with welded internal hinges
- Powder Coat Finish: White Textured

**HIGH SECURITY PULL BOX****PRODUCT CODE
SEC-WM-PB1-H5**

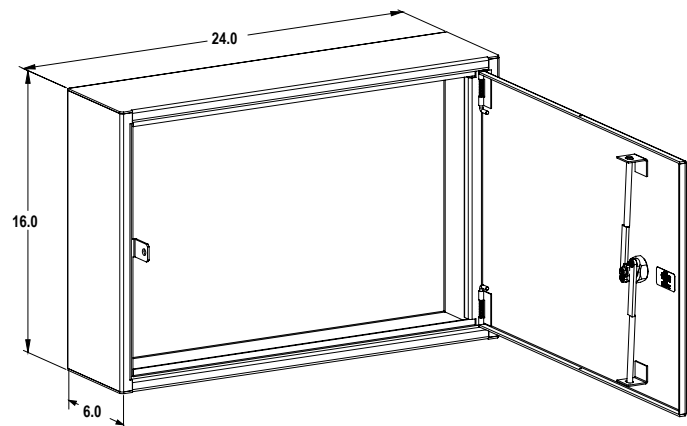
This 12-gauge High Security Pull Box enclosure mounts securely to walls and was designed to protect classified cabling and allow for the proper amount of cable loop within the enclosure. The door securely locks using Holocom's patented locking system and the Sargent and Greenleaf® padlock (Page 20).

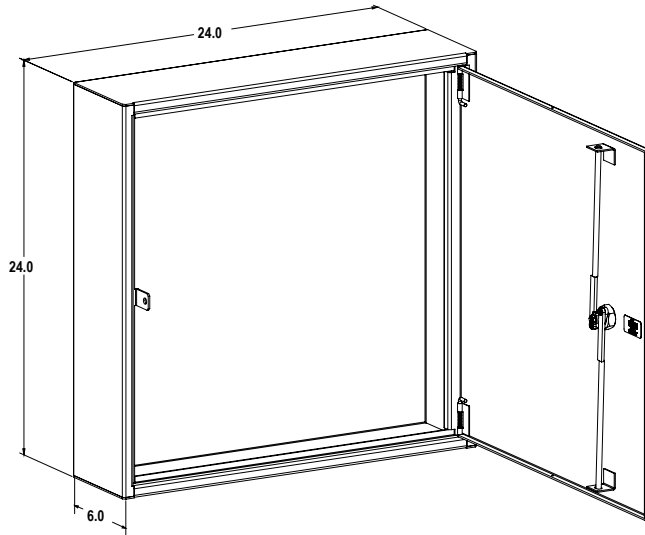
- Height 12" x Width 18" x Depth 4"
- 12-gauge electro-galvanized steel with welded seams
- Weight: 24 lbs
- Single door with 3-point security and padlock hasp
- Tamper-resistant design with welded internal hinges
- Powder Coat Finish: White Textured

**HIGH SECURITY PULL BOX****PRODUCT CODE
SEC-WM-PB2-H5**

This 12-gauge High Security Pull Box enclosure mounts securely to walls and was designed to protect classified cabling and allow for the proper amount of cable loop within the enclosure. The door securely locks using Holocom's patented locking system and the Sargent and Greenleaf® padlock (Page 20).

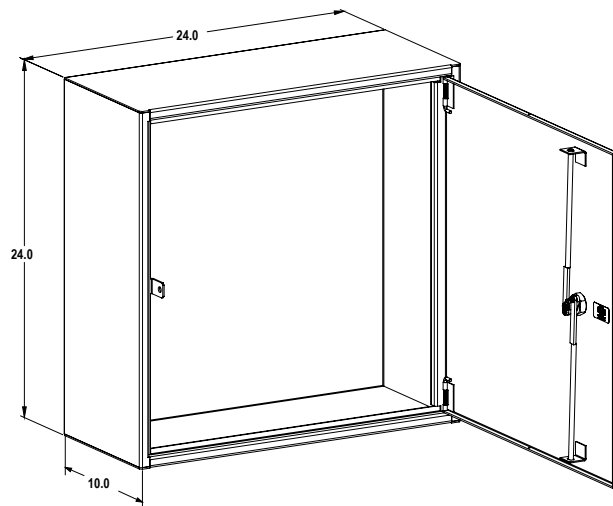
- Height 16" x Width 24" x Depth 6"
- 12-gauge electro-galvanized steel with welded seams
- Weight: 42 lbs
- Single door with 3-point security and padlock hasp
- Tamper-resistant design with welded internal hinges
- Powder Coat Finish: White Textured



HIGH SECURITY PULL BOX**PRODUCT CODE
SEC-WM-PB3-H5**

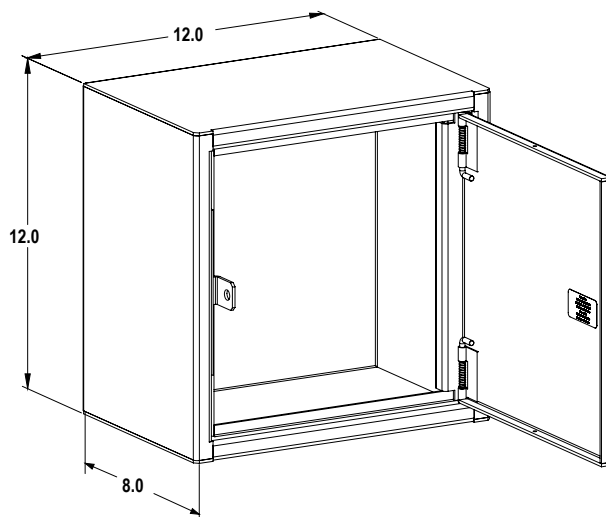
This 12-gauge High Security Pull Box enclosure mounts securely to walls and was designed to protect classified cabling and allow for the proper amount of cable loop within the enclosure. The door securely locks using Holocom's patented locking system and the Sargent and Greenleaf® padlock (Page 20).

- Height 24" x Width 24" x Depth 6"
- 12-gauge electro-galvanized steel with welded seams
- Weight: 57 lbs
- Single door with 3-point security and padlock hasp
- Tamper-resistant design with welded internal hinges
- Powder Coat Finish: White Textured

HIGH SECURITY PULL BOX**PRODUCT CODE
SEC-WM-PB4-H5**

This 12-gauge High Security Pull Box enclosure mounts securely to walls and was designed to protect classified cabling and allow for the proper amount of cable loop within the enclosure. The door securely locks using Holocom's patented locking system and the Sargent and Greenleaf® padlock (Page 20).

- Height 24" x Width 24" x Depth 10"
- 12-gauge electro-galvanized steel with welded seams
- Weight: 68 lbs
- Single door with 3-point security and padlock hasp
- Tamper-resistant design with welded internal hinges
- Powder Coat Finish: White Textured

HIGH SECURITY PULL BOX**PRODUCT CODE
SEC-WM-118-H5**

This 12-gauge High Security Pull Box enclosure mounts securely to walls and was designed to protect classified cabling and allow for the proper amount of cable loop within the enclosure. The door securely locks using Holocom's patented locking system and the Sargent and Greenleaf® padlock (Page 20).

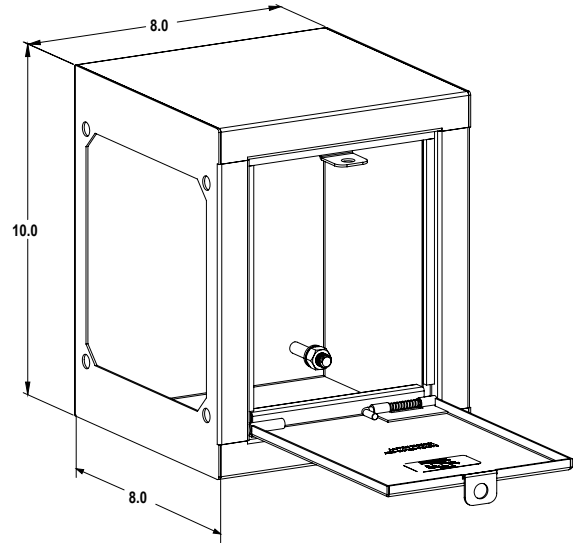
- Height 12" x Width 12" x Depth 8"
- 12-gauge electro-galvanized steel with welded seams
- Weight: 22 lbs
- Single door with 3-point security and padlock hasp
- Tamper-resistant design with welded internal hinges
- Powder Coat Finish: White Textured

IPS JUNCTION BOX

PRODUCT CODE
SAP-IM-SE1-H1

Holocom custom-designed the secure IPS Junction Box to join the Holocom PDS to the Hamilton Safe® COMSEC Information Processing System (IPS) container. Four manufactured mounting points and a cutout align with corresponding points on the Hamilton IPS. The door locks securely with a Sargent & Greenleaf® padlock (Page 20).

- Height 10" x Width 8" x Depth 8"
- 16-gauge electro-galvanized steel
- Weight: 7.5 lbs
- Removable drop-down door with back flange
- Four (4) manufactured mounting points and cutout matches to Hamilton IPS
- Welded door hasp for Sargent & Greenleaf® padlock
- Powder Coat Finish: White Textured

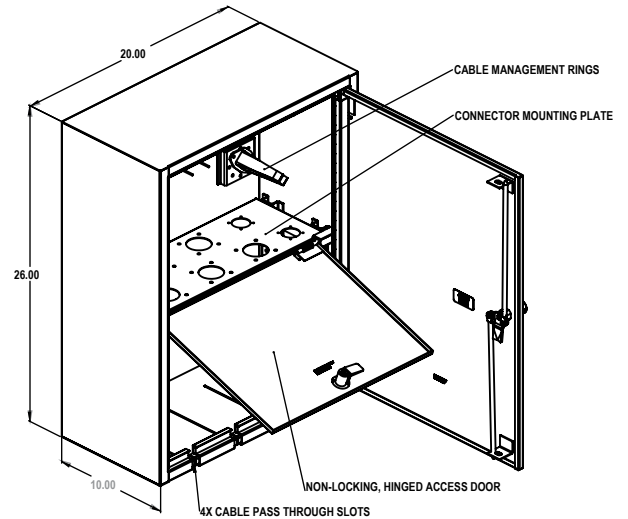


EXTERIOR BUILDING COMMUNICATIONS ENCLOSURE

PRODUCT CODE
SEC-WM-EXT1-H1

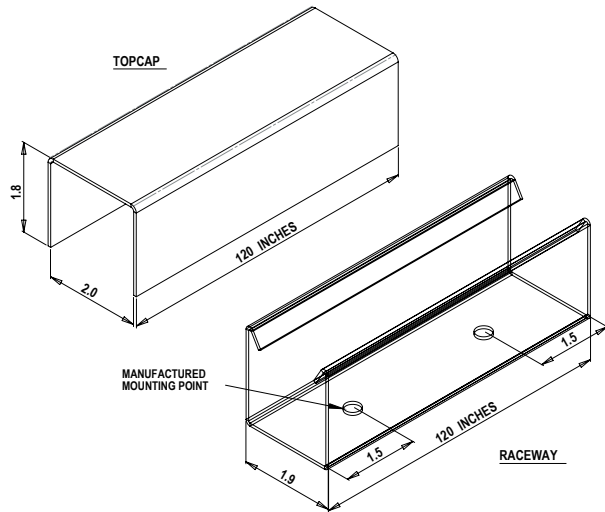
The Exterior Building Communications Enclosure (EXT1) provides an interface between mobile military communications platforms and building voice/data networks. This vehicle-to-building interface allows real-time communications to feed into a building's office, conference room, VTC room, or operations center from a tactical communications platform parked outside the building. Exterior door closes with cam, control rods, and an exterior-rated handle and provides environmental protection to the cable interface.

- Length 26" x Width 20" x Depth 10"
- 16-gauge electro-galvanized steel
- Weight 45 lbs
- Four (4) cable pass-through slots
- Connector mounting plate shown is for TFOCA-II® Flange Mount Receptacle. May be ordered to meet other customer specifications (Product Code: EXT1-MP-xx sold separately)
- Interior, non-locking, hinged access door covers cable connections
- Secure 3-point door closure
- Exterior rated door handle accepts Sargent & Greenleaf® padlock (Page 20)
- Powder Coat Finish: Dark Gray Textured



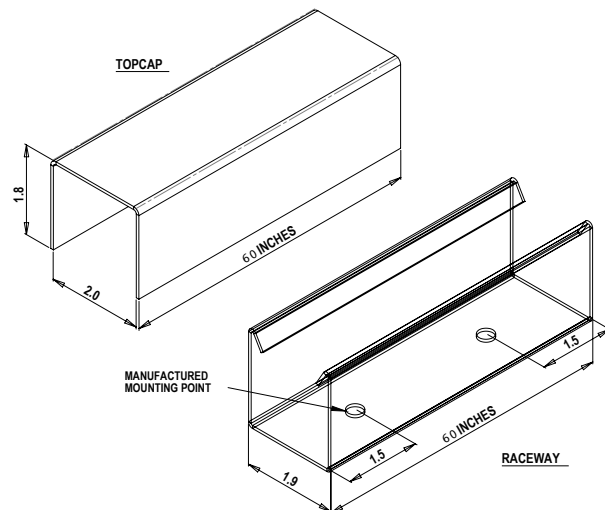
NOTES:



SECURE RACEWAY - STEEL 100 FEET**PRODUCT CODE
SDS-WM-RCW-ST**

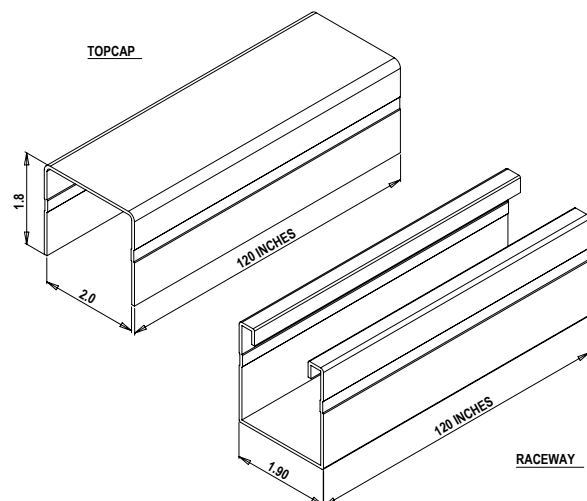
The wall-mounted 2" x 2" Secure Raceway encloses and protects secure network cables. The Secure Raceway comes in 10-foot sections in a 100' kit and comprises two pieces: the Raceway and TopCap. Manufactured mounting points on the Raceway allow a simplified, labor-saving mounting technique. With the addition of other locking components, the Raceway and TopCap securely lock together.

- 16-gauge electro-galvanized steel
- Components:
 - High Security Raceway: Length 120" x Width 1.9" x Height 1.8"
 - High Security TopCap: Length 120" x Width 2.0" x Height 1.8"
- Total length: 120" sections of Raceway and TopCap (10 each)
- Total weight: 254 lbs Raceway and TopCap
- Two (2) manufactured mounting points in each 120" raceway section
 - 1/2" from ends of each 120" raceway
 - Located along raceway center line
- Powder Coat Finish: White Textured

SECURE RACEWAY - STEEL 50 FEET**PRODUCT CODE
SDS-WM-RCW-ST-05**

The wall-mounted 2" x 2" Secure Raceway, now available in convenient five-foot lengths in a 50' kit, encloses and protects secure network cables. The Secure Raceway comprises two pieces: the Raceway and TopCap. Manufactured mounting points on the Raceway allow a simplified, labor-saving mounting technique. With the addition of other locking components, the Raceway and TopCap securely lock together.

- 16-gauge electro-galvanized steel
- Components:
 - High Security Raceway: Length 60" x Width 1.9" x Height 1.8"
 - High Security TopCap: Length 60" x Width 2.0" x Height 1.8"
- Total length: 60" sections of Raceway and TopCap (10 each)
- Total weight: 127 lbs Raceway and TopCap
- Two (2) manufactured mounting points in each 60" raceway section
 - 1/2" from ends of each 60" raceway
 - Located along raceway center line
- Powder Coat Finish: White Textured

SECURE RACEWAY - ALUMINUM**PRODUCT CODE
SDS-WM-RCW-AL**

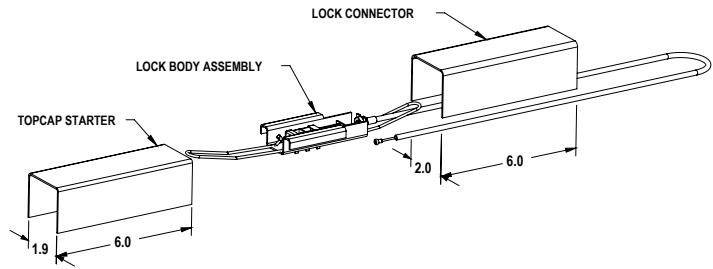
The wall-mounted 2" x 2" Aluminum Secure Raceway encloses and protects secure network cables. The Aluminum Secure Raceway comes in 10-foot sections in a 100' kit and comprises two pieces: the Raceway and TopCap. With the addition of other locking components, the Raceway and TopCap securely lock together.

- .060" 6063-T5 Aluminum
- Components:
 - High Security Raceway: Length 120" x Width 1.9" x Height 1.8"
 - High Security TopCap: Length 120" x Width 2.0" x Height 1.8"
- Total length: 120" sections of Raceway and TopCap (10 each)
- Total weight: 100 lbs Raceway and TopCap
- Powder Coat Finish: White Textured

STEEL LOCKING KIT

**PRODUCT CODE
SDS-LK-KIT-ST**

The Steel Raceway Locking Kit is required to securely lock down the Secure Raceway. When in "lock-down" position, the entire raceway is secure and the enclosed cables are protected. Releasing the lock enables the raceway to be repositioned and expanded for future Moves, Adds and Changes. The Steel Locking Kit is used with steel and aluminum Secure Raceway.

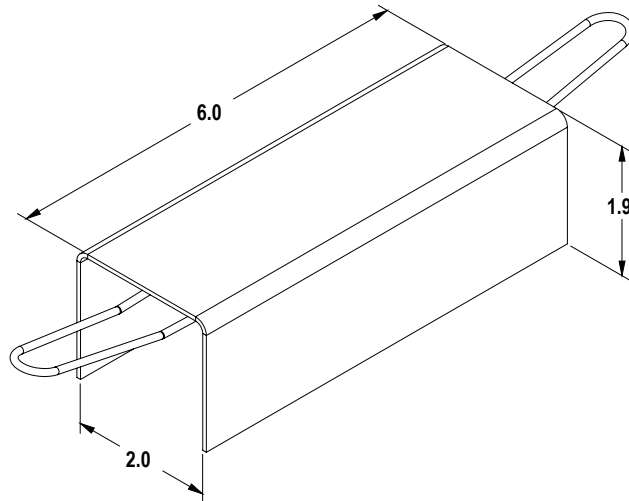


- 16-gauge electro-galvanized steel
- Components:
 - Raceway Lock Connector: Length 6" x Width 2" x Height 2"
 - TopCap Starter: Length 6" x Width 2" x Height 2"
 - Lock assembly with 30" lanyard
- Used with Steel and Aluminum Secure Raceway
- Total Weight: 2 lbs
- Powder Coat Finish: White Textured

END-TO-END CONNECTOR

**PRODUCT CODE
SDS-CT-EE6-ST**

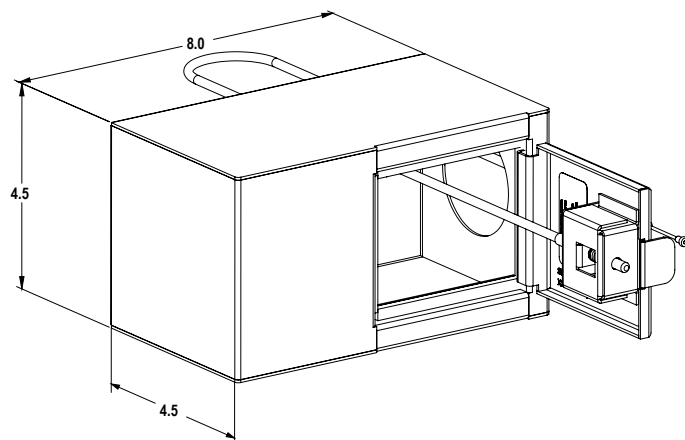
The End-to-End Connector securely joins two sections of Secure Raceway TopCap. It is used with both steel and aluminum Secure Raceway.



- 16-gauge electro-galvanized steel
- Length 6" x Width 2" x Height 1.9"
- Weight: 1 lb
- Powder Coat Finish: White Textured

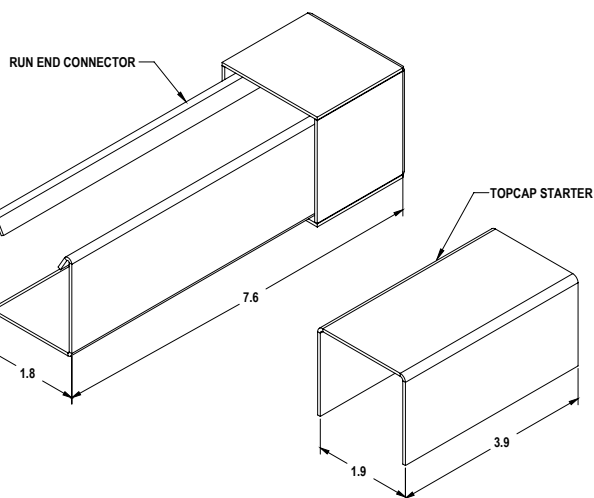
NOTES:



UNIVERSAL CONNECTOR**PRODUCT CODE
SDS-CT-UNI**

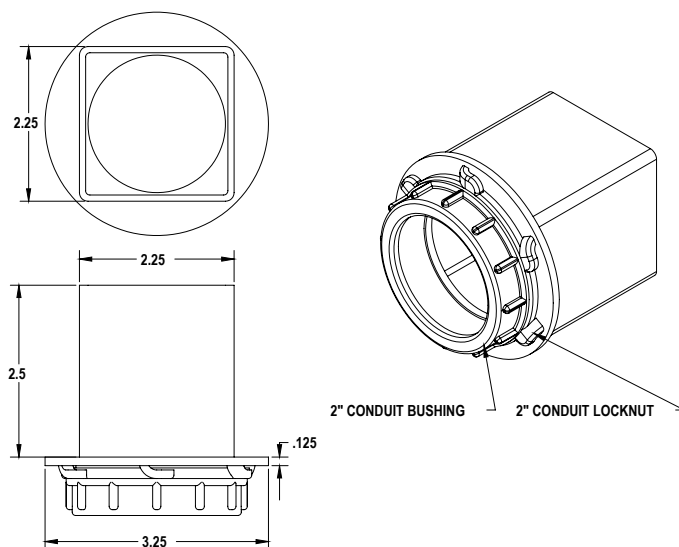
The Universal Connector is a versatile connector that allows the Secure Raceway to navigate around obstructions, columns, and off-set walls, as well as cross hallways at end runs

- Length 8.0" x Width 4.5" x Depth 4.5"
- 16-gauge electro-galvanized steel
- Weight: 4 lbs
- Double-action spring-lock mechanism with 30" lanyard
- Powder Coat Finish: White Textured

RUN END CONNECTOR**PRODUCT CODE
SDS-WM-REC**

The Run End Connector, with welded end cap, provides a solution for ending a section of Secure Raceway within a room or hallway. If used in conjunction with the Reducing Three-Way Connector (SMD-CT-3WY), the supplied TopCap starter can be used instead of the longer 6" TopCap starter from the Steel Locking Kit (SDS-LK-KIT-ST). In a standalone Secure Raceway run, the Run End Connector may be used instead of the Universal Connector (SDS-CT-UNI) or lockable enclosure to end the run. The Run End Connector also may be used in conjunction with a 1, 5, or 7 Through-Wall Kit to connect Secure Raceway or Secure Mini Dukt™ to the run.

- 16-gauge electro-galvanized steel
- Length 7.6" x Width 1.9" x Depth 1.9"
- Total weight 1.5 lbs
- Two (2) manufactured mounting points located along base center line
- Powder Coat Finish: White Textured

INTERFACE SLEEVE (INF)**PRODUCT CODE
SDS-CT-INF-ST**

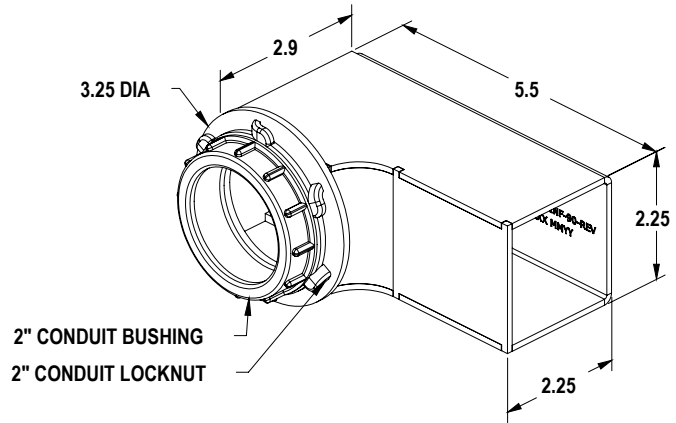
The Secure Interface Sleeve (INF) is designed to transition the Secure Raceway to a Secure Enclosure or Through-Wall Kit. The INF connects all of the Holocom High Security Enclosures to Secure Raceway. Holocom improved upon its original INF by redesigning the flange shape from square to round. The round flange completely covers the penetration hole and eliminates the need to align an additional part previously used for ensuring aesthetics. By changing the design of this one component in the INF, installation requires fewer parts thereby improving installation efficiency.

- Height 2.5" x Width 2.25" x Depth x 2.25"
- Flange Diameter 3.25" x Thickness .125"
- Electro-galvanized steel
- 2" NPT external threads
- Includes 2" Conduit Locknut and 2" Conduit Bushing
- Total weight: 1 lb
- Powder Coat Finish: White Textured

90° INTERFACE SLEEVE**PRODUCT CODE
SDS-CT-INF-90**

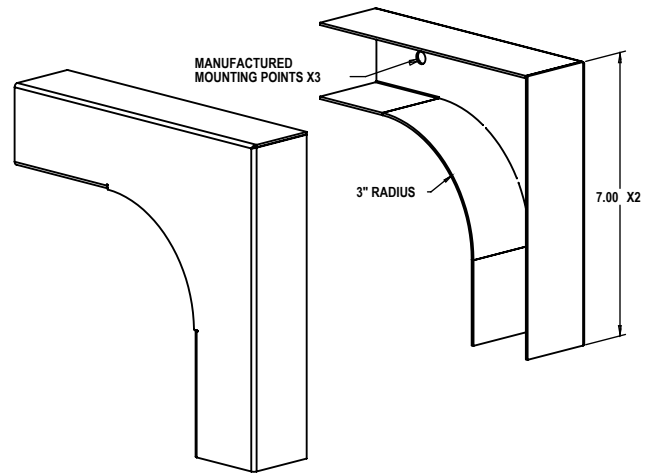
The 90° Interface Sleeve provides a seamless 90° transition from enclosures or Through-Wall Kits to the Secure Raceway. Holocom improved upon its original INF-90 by redesigning the flange shape from square to round. The round flange completely covers the penetration hole and eliminates the need to align an additional part previously used for ensuring aesthetics. By changing the design of this one component, installation requires fewer parts thereby improving installation efficiency.

- Length 5.5" x Width 2.9" x Depth 2.25"
- Round flange, Diameter 3.25" x Thickness .125"
- Electro-galvanized steel
- 2" NPT external threads
- Includes 2" Conduit Locknut and 2" Conduit Bushing
- Total Weight: 3 lbs
- Powder Coat Finish: White Textured

**90° CONNECTOR****PRODUCT CODE
SDS-CT-090**

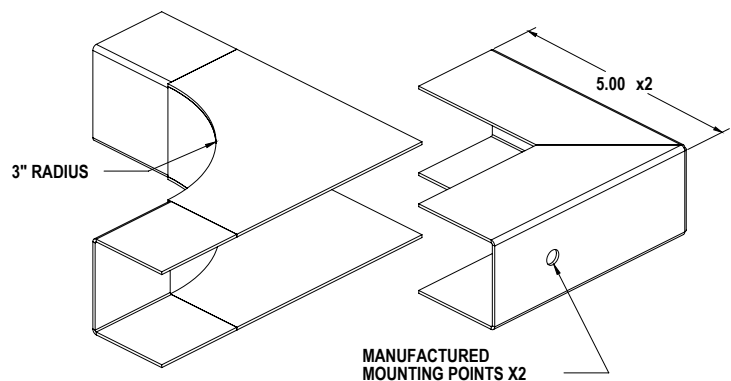
The 90° Connector allows Secure Raceway to perform a right-angle turn while traveling on a flat surface. The new 90° Connector eliminates the internal locking mechanism and provides more free cable space. With the same height/width outside dimensions as Secure Raceway and TopCap, the updated 90° Connector allows a mounting technique consistent with that used for Raceway/TopCap end joints and other Holocom connectors. The new 90° Connector also weighs less and is smaller thereby allowing mounting in tighter spaces. Attach to Secure Raceway with two (2) Secure Raceway Joints (in kits SDS-RW-AKT-03 and SDS-RW-BRG and individually SDS-RW-SRJ), one (1) End-to-End Connector (SDS-CT-EE6-ST), and one (1) Steel Locking Kit (SDS-LK-KIT-ST).

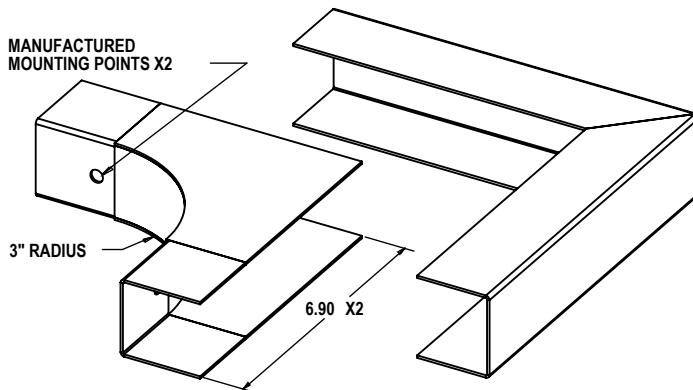
- 16-gauge electro-galvanized steel
- Weight: 2 lbs
- Three (3) manufactured mounting points located along connector center line
- Powder Coat Finish: White Textured

**90° INTERNAL CONNECTOR****PRODUCT CODE
SDS-CT-90i**

The 90° Internal Connector allows Secure Raceway to perform a right-angle turn on an inside corner. The new Connector eliminates the internal locking mechanism and provides more free cable space. With the same height/width outside dimensions as Secure Raceway and TopCap, the updated 90° Internal Connector allows a mounting technique consistent with that used for Raceway/TopCap end joints and other Holocom connectors. The new Connector also weighs less and is smaller thereby allowing mounting in tighter spaces. Attach to Secure Raceway with two (2) Secure Raceway Joints (in kits SDS-RW-AKT-02/03 and SDS-RW-BRG and individually SDS-RW-SRJ), one (1) End-to-End Connector (SDS-CT-EE6-ST), and one (1) Steel Locking Kit (SDS-LK-KIT-ST).

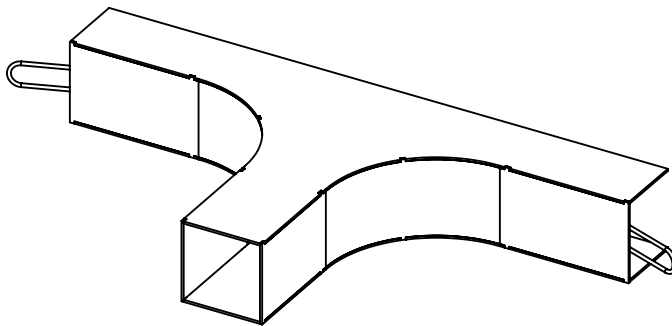
- 16-gauge electro-galvanized steel
- Weight: 3 lbs
- Two (2) manufactured mounting points located along connector center line
- Powder Coat Finish: White Textured



90° EXTERNAL CONNECTOR**PRODUCT CODE
SDS-CT-90e**

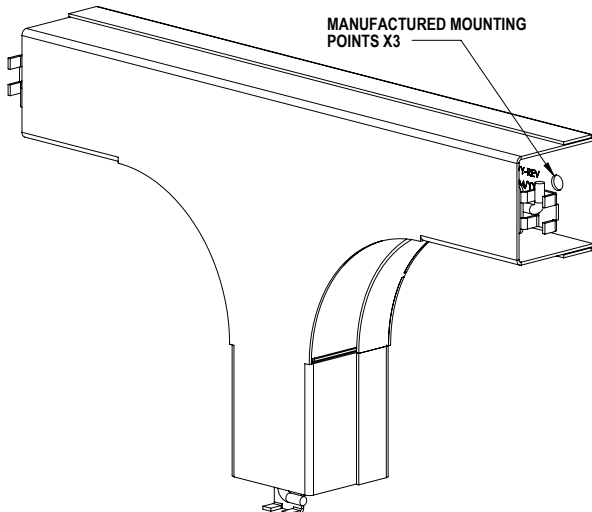
The 90° External Connector allows Secure Raceway to perform a right-angle turn on an outside corner. The new Connector eliminates the internal locking mechanism and provides more free cable space. With the same height/width outside dimensions as Secure Raceway and TopCap, the updated 90° External Connector allows a mounting technique consistent with that used for Raceway/TopCap end joints and other Holocom connectors. The new Connector also weighs less and is smaller thereby allowing mounting in tighter spaces. Attach to Secure Raceway with two (2) Secure Raceway Joints (in kits SDS-RW-AKT-02/03 and SDS-RW-BRG and individually SDS-RW-SRJ), one (1) End-to-End Connector (SDS-CT-EE6-ST), and one (1) Steel Locking Kit (SDS-LK-KIT-ST).

- 16-gauge electro-galvanized steel
- Weight: 3 lbs
- Two (2) manufactured mounting points located along connector center line
- Powder Coat Finish: White Textured

INTERNAL THREE-WAY CONNECTOR**PRODUCT CODE
SDS-CT-3IN**

The Internal Three-Way Connector splits the Secure Raceway run, allowing the original run to continue while another run spans across a hallway to the opposite wall. Holocom recently improved upon its original Internal Three-Way Connector by consolidating two pieces into one. The design to a single-piece connector makes installation easier and faster.

- Length 15.2" x Width 7.9" x Depth 2.2"
- 16-gauge electro-galvanized steel
- Weight: 2.5 lbs
- Attaches to raceway with secure clips
- Powder Coat Finish: White Textured

THREE-WAY CONNECTOR**PRODUCT CODE
SDS-CT-3WY**

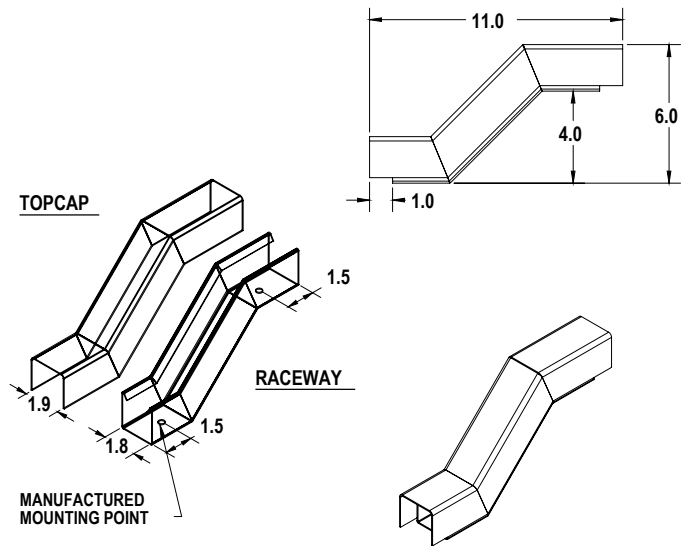
The T-shaped Three-Way Connector provides a right-angle turn along a wall and is often used to provide a connection between the main Secure Raceway and the drop to an end-user enclosure. This two-piece connector consists of a base and cover which come apart through the double-action spring-lock mechanism. Three manufactured mounting points on the base allow a simplified, labor-saving mounting technique.

- 16-gauge electro-galvanized steel
- Weight: 4 lbs
- Double-action spring-lock mechanism
- Three (3) manufactured mounting points located along connector center line
- Powder Coat Finish: White Textured

OFFSET CONNECTOR 4 INCH**PRODUCT CODE****SDS-CT-OFF-04**

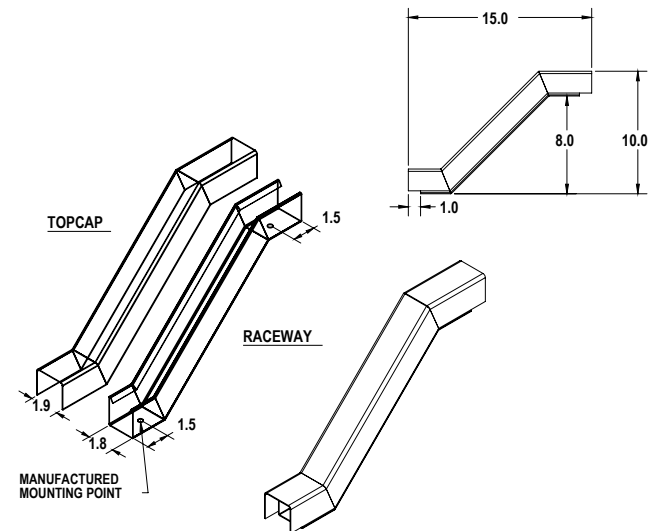
The Offset Connector 4 Inch greatly simplifies and expedites installation of Secure Raceway around a column with a 4" depth. Offset Connectors reduce the number of parts previously required to mount the raceway around a column, providing a cleaner appearance and reducing material and labor costs. The Offset Connector 4 Inch is conveniently packaged in sets of two connectors (Product Code: SDS-CT-COL-01). Refer to SDS-CT-COL-01 for installation guidelines.

- 16-gauge electro-galvanized steel
- Components:
 - Raceway: Length 11" x Width 6" x Height 1.8"
 - TopCap: Length 11" x Width 6" x Height 1.9"
- Total Weight: 2.30 lbs
- Two (2) manufactured mounting points in each Raceway section
 - 1.5" from each end
 - Located along center line
- Powder Coat Finish: White Textured

**OFFSET CONNECTOR 8 INCH****PRODUCT CODE****SDS-CT-OFF-08**

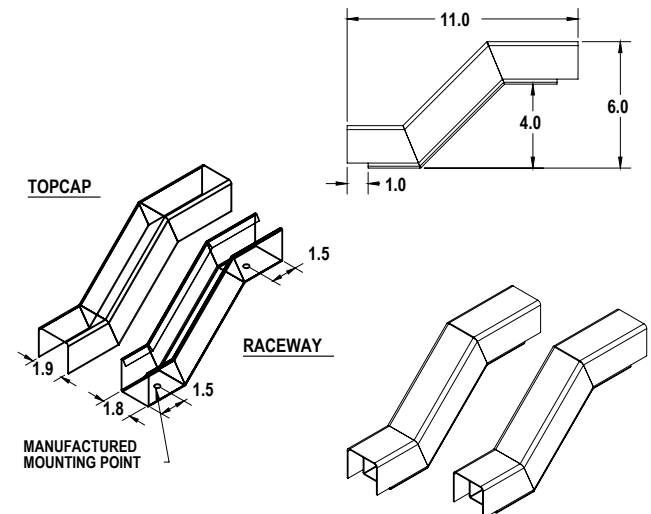
The Offset Connector 8 Inch greatly simplifies and expedites installation of Secure Raceway around a column with an 8" depth. Offset Connectors reduce the number of parts previously required to mount the raceway around a column, providing a cleaner appearance and reducing material and labor costs. The Offset Connector 8 Inch is conveniently packaged in sets of two connectors (Product Code: SDS-CT-COL-02). Refer to SDS-CT-COL-02 for installation guidelines.

- 16-gauge electro-galvanized steel
- Components:
 - Raceway: Length 15" x Width 10" x Height 1.8"
 - TopCap: Length 15" x Width 10" x Height 1.9"
- Total Weight: 3.42 lbs
- Two (2) manufactured mounting points in each Column Connector
 - 1.5" from each end
 - Located along raceway center line
- Powder Coat Finish: White Textured

**COLUMN CONNECTOR 4 INCH****PRODUCT CODE****SDS-CT-COL-01**

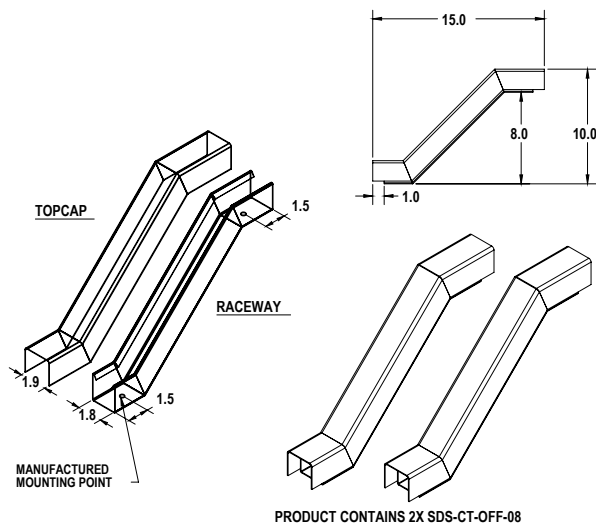
The Column Connector 4 Inch offers the convenience of two (2) Offset Connectors 4 Inch (SDS-CT-OFF-04) packaged together in a single product. The Offset Connectors 4 Inch greatly simplify and expedite installation of Secure Raceway around a column with a 4" depth. For most applications, installation would require one (1) Column Connector 4 Inch joined by four (4) Secure Raceway Joints (SDS-RW-SRJ), three (3) sections of Raceway and TopCap, one (1) Steel Locking Kit (SDS-LK-KIT-ST), and three (3) End-to-End Connectors (SDS-CT-EE6-ST).

- 16-gauge electro-galvanized steel
- Components:
 - Two (2) pieces Raceway: Length 11" x Width 6" x Height 1.8"
 - Two (2) pieces TopCap: Length 11" x Width 6" x Height 1.9"
- Total Weight: 4.60 lbs
- Two (2) manufactured mounting points in each Offset Connector
 - 1.5" from each end
 - Located along raceway center line
- Powder Coat Finish: White Textured



PRODUCT CONTAINS 2X SDS-CT-OFF-04

COLUMN CONNECTOR 8 INCH

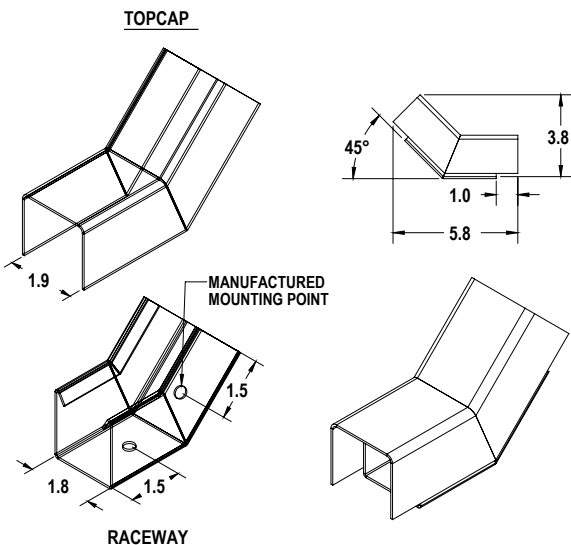


PRODUCT CODE SDS-CT-COL-02

The Column Connector 8 Inch offers the convenience of two (2) Offset Connectors 8 Inch (SDS-CT-OFF-08) packaged together in a single product. The Offset Connectors 8 Inch greatly simplify and expedite installation of Secure Raceway around a column with an 8" depth. For most applications, installation would require one (1) Column Connector 8 Inch joined by four (4) Secure Raceway Joints (SDS-RW-SRJ), three (3) sections of Raceway and TopCap, one (1) Steel Locking Kit (SDS-LK-KIT-ST), and three (3) End-to-End Connectors (SDS-CT-EE6-ST).

- 16-gauge electro-galvanized steel
- Components:
 - Two (2) pieces Raceway: Length 15" x Width 10" x Height 1.8"
 - Two (2) pieces TopCap: Length 15" x Width 10" x Height 1.9"
- Total Weight: 6.84 lbs
- Two (2) manufactured mounting points in each Offset Connector
 - 1.5" from each end
 - Located along raceway center line
- Powder Coat Finish: White Textured

45° INTERNAL CONNECTOR

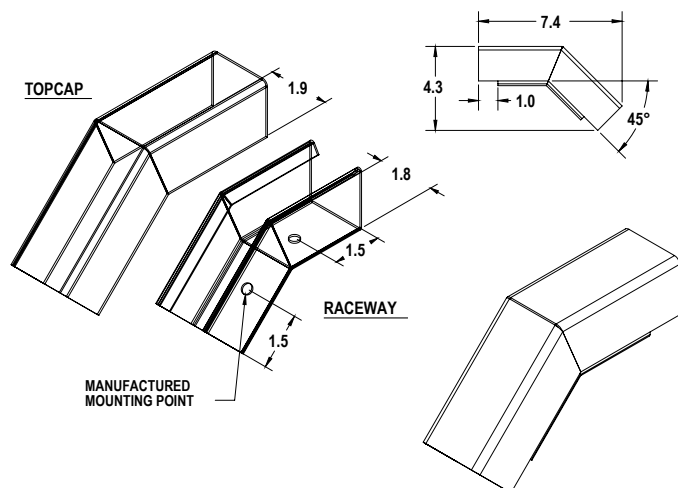


PRODUCT CODE SDS-CT-45i

The 45° Internal Connector mates with the 45° External Connector (SDS-CT-45e) to install Secure Raceway around obstacles with a wall depth too shallow for the 90° Connectors (SDS-CT-90i / SDS-CT-90e). The 45° Connectors reduce the number of parts previously required, provide a cleaner appearance, and reduce material and labor costs. For most applications, installation would require one 45° External Connector and one 45° Internal Connector joined by four (4) Secure Raceway Joints (SDS-RW-SRJ), three (3) sections of Raceway and TopCap, one (1) Steel Locking Kit (SDS-LK-KIT-ST), and three (3) End-to-End Connectors (SDS-CT-EE6-ST).

- 16-gauge electro-galvanized steel
- Components:
 - Raceway: Length 5.8" x Width 3.8" x Height 1.8"
 - TopCap: Length 5.8" x Width 3.8" x Height 1.9"
- Total Weight: .99 lbs
- Two (2) manufactured mounting points in each Raceway section
 - 1.5" from each end
 - Located along center line
- Sold individually but used in conjunction with the 45° External Connector (SDS-CT-45e)
- Powder Coat Finish: White Textured

45° EXTERNAL CONNECTOR



PRODUCT CODE SDS-CT-45e

The 45° External Connector mates with the 45° Internal Connector (SDS-CT-45i) to install Secure Raceway around obstacles with a wall depth too shallow for the 90° Connectors (SDS-CT-90i / SDS-CT-90e). The 45° Connectors reduce the number of parts previously required, provide a cleaner appearance, and reduce material and labor costs. For most applications, installation would require one 45° External Connector and one 45° Internal Connector joined by four (4) Secure Raceway Joints (SDS-RW-SRJ), three (3) sections of Raceway and TopCap, one (1) Steel Locking Kit (SDS-LK-KIT-ST), and three (3) End-to-End Connectors (SDS-CT-EE6-ST).

- 16-gauge electro-galvanized steel
- Components:
 - Raceway: Length 7.4" x Width 4.3" x Height 1.8"
 - TopCap: Length 7.4" x Width 4.3" x Height 1.9"
- Total Weight: 1.35 lbs
- Two (2) manufactured mounting points in each Raceway section
 - 1.5" from each end
 - Located along center line
- Sold individually but used in conjunction with the 45° Internal Connector (SDS-CT-45i)
- Powder Coat Finish: White Textured



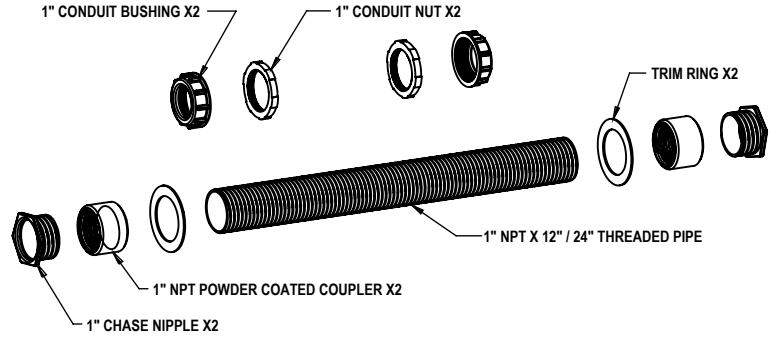
#1 THROUGH-WALL KIT

PRODUCT CODE
SDS-TW-001-12
SDS-TW-001-24

The updated #1 Through-Wall Kit provides a one-inch through-wall pathway in multiple installation scenarios, including:

- SDS 2"x2" Raceway to SDS 2"x2" Raceway
- SDS 2"x2" Raceway to User Drop Box or other enclosure
- User Drop Box to User Drop Box or other enclosure

The newer components provide maximum inside diameter, smoother cable movement, and a powder-coated trim ring and coupler for a more finished appearance.



- 12"**
- Galvanized steel threaded pipe
 - Total weight: 2 lbs
- THROUGH-WALL KIT INCLUDES:
- One (1) – 1" x 12" NPT threaded pipe
 - Two (2) – 1" conduit bushings
 - Two (2) – 1" conduit lock nuts
 - Two (2) – 1" NPT powder-coated couplers
 - Two (2) – 1" Chase nipples
 - Two (2) powder-coated trim rings

- 24"**
- Galvanized steel threaded pipe
 - Total weight: 3 lbs
- THROUGH-WALL KIT INCLUDES:
- One (1) – 1" x 24" NPT threaded pipe
 - Two (2) – 1" conduit bushings
 - Two (2) – 1" conduit lock nuts
 - Two (2) – 1" NPT powder-coated couplers
 - Two (2) – 1" Chase nipples
 - Two (2) powder-coated trim rings

See: www.holocom.com/throughwall.html for installation instructions.



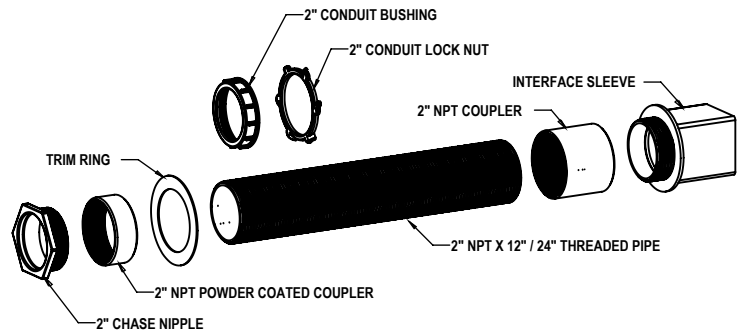
#2 THROUGH-WALL KIT

PRODUCT CODE
SDS-TW-002-12
SDS-TW-002-24

The updated #2 Through-Wall Kit provides a two-inch through-wall pathway from:

- Secure Large Carrier (SLC) Raceway to SDS 2"x2" Raceway
- SDS 2"x2" Raceway to a Holocom High Security Enclosure

The newer components provide maximum inside diameter, smoother cable movement, and powder-coated trim ring and coupler for a more finished appearance.



- 12"**
- Galvanized steel threaded pipe
 - Total weight: 4 lbs
- THROUGH-WALL KIT INCLUDES:
- One (1) – 2" x 12" NPT threaded pipe
 - One (1) – 2" conduit bushing
 - One (1) – 2" conduit lock nut
 - One (1) – 2" NPT coupler
 - One Interface Sleeve
 - One (1) 2" NPT powder-coated coupler
 - One (1) trim ring
 - One (1) 2" Chase nipple

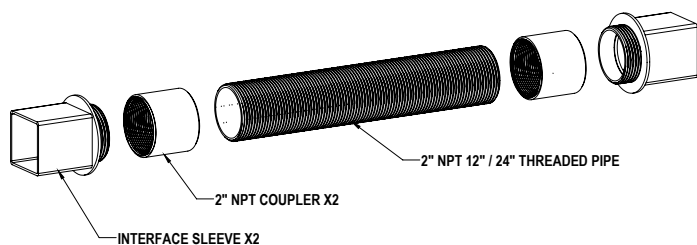
- 24"**
- Galvanized steel threaded pipe
 - Total weight: 7 lbs
- THROUGH-WALL KIT INCLUDES:
- One (1) – 2" x 24" NPT threaded pipe
 - One (1) – 2" conduit bushing
 - One (1) – 2" conduit lock nut
 - One (1) – 2" NPT coupler
 - One Interface Sleeve
 - One (1) 2" NPT powder-coated coupler
 - One (1) trim ring
 - One (1) 2" Chase nipple

See: www.holocom.com/throughwall.html for installation instructions.

NOTES:



#4 THROUGH-WALL KIT



See: www.holocom.com/throughwall.html for installation instructions.

PRODUCT CODE

SDS-TW-004-12

SDS-TW-004-24

This Through-Wall Kit provides a 2" through-wall pathway from one Secure Raceway section to another Secure Raceway section.

12"

- Galvanized steel threaded pipe
- Total weight: 5.1 lbs

THROUGH-WALL KIT INCLUDES:

- One (1) – 2" x 12" NPT threaded pipe
- Two (2) – 2" NPT couplers
- Two (2) Interface Sleeves

24"

- Galvanized steel threaded pipe
- Total weight: 7.6 lbs

THROUGH-WALL KIT INCLUDES:

- One (1) – 2" x 24" NPT threaded pipe
- Two (2) – 2" NPT couplers
- Two (2) Interface Sleeves

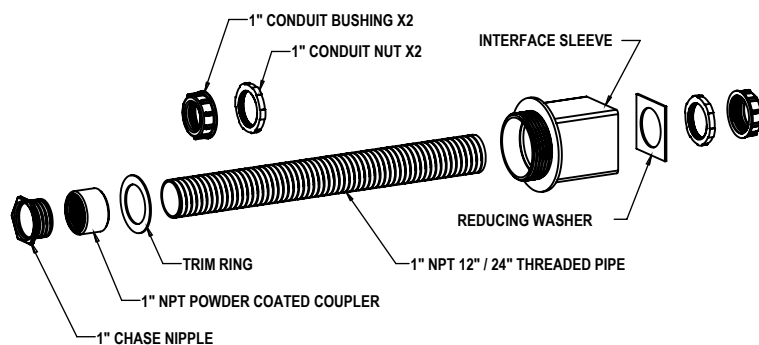
#5 THROUGH-WALL KIT



PRODUCT CODE

SDS-TW-005-12

SDS-TW-005-24



See: www.holocom.com/throughwall.html for installation instructions.

The updated #5 Through-Wall Kit provides a 1" through-wall pathway in multiple installation scenarios including:

- SDS 2" x 2" Raceway to SDS 2" x 2" Raceway
- SDS 2" x 2" Raceway to Secure Mini Dukt™ (SMD) Tubing
- SDS 2" x 2" Raceway to User Drop Box or other enclosure

The newer components provide maximum inside diameter, smoother cable movement, and powder-coated trim ring and coupler for a more finished appearance.

12"

- Galvanized steel threaded pipe
- Total weight: 2.1 lbs

THROUGH-WALL KIT INCLUDES:

- One (1) – 1" x 12" NPT threaded pipe
- Two (2) – 1" conduit bushings
- Two (2) – 1" conduit lock nuts
- One (1) reducing washer
- One (1) Interface Sleeve
- One (1) 1" NPT powder-coated coupler
- One (1) Chase nipple
- One (1) powder-coated trim ring

24"

- Galvanized steel threaded pipe
- Total weight: 7.6 lbs

THROUGH-WALL KIT INCLUDES:

- One (1) – 2" x 24" NPT threaded pipe
- Two (2) – 1" conduit bushings
- Two (2) – 1" conduit lock nuts
- One (1) reducing washer
- One (1) Interface Sleeve
- One (1) 1" NPT powder-coated coupler
- One (1) Chase nipple
- One (1) powder-coated trim ring

NOTES:

RACEWAY ATTACHMENT KIT

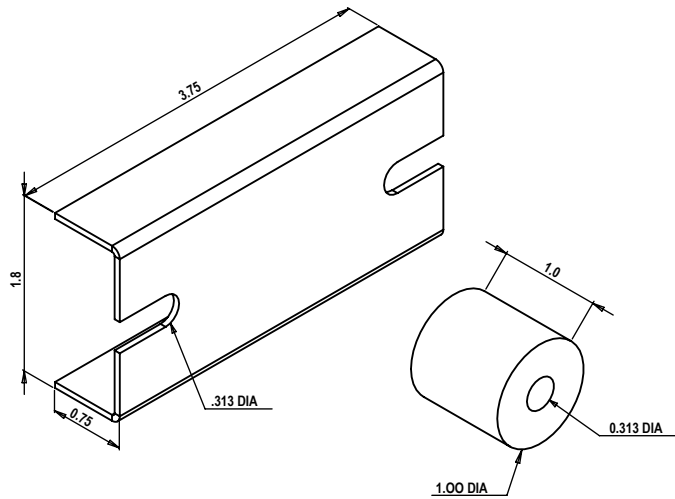
PRODUCT CODE
SDS-RW-AKT-03

The Raceway Attachment Kit contains two components: Secure Raceway Joint (SRJ) and Secure Raceway Spacer. The SRJ, which replaces the Bridge in the former Raceway Attachment Kit, covers and adds rigidity to all Secure Raceway end joints. Secure Raceway Spacers are used as a standoff to provide 360-degree inspection of Holocom Secure Raceway. When combined with the proper Hardware Kit, the Raceway Attachment Kit provides the material necessary to securely attach 100 feet of Holocom Secure Raceway to the wall.

EACH RACEWAY ATTACHMENT KIT CONTAINS:

- Fifty (50) Secure Raceway Joints (SRJ)
- One Hundred (100) Nylon 6/6 White Raceway Spacers

Total Weight: 13 lb



GYPSUM HARDWARE KIT

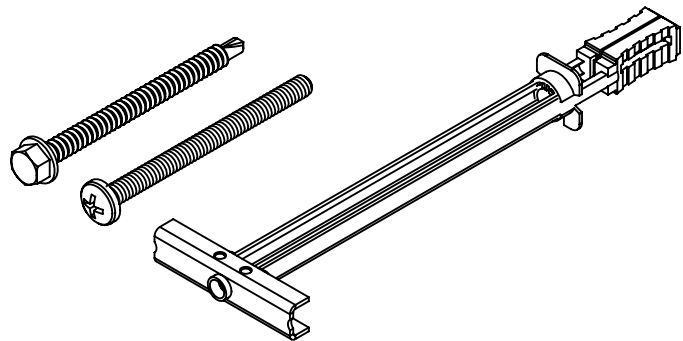
PRODUCT CODE
SDS-HW-GYP-02

The Gypsum Hardware Kit, when combined with the Raceway Attachment Kit (SDS-RW-AKT-02), includes the necessary materials to securely attach Holocom PDS components to gypsum dry walls, hollow walls, panel walls, or steel studs. One Gypsum Hardware Kit supports the installation of 100 feet of Holocom Secure Raceway.

EACH KIT INCLUDES:

- Seventy (70) 1/4-20 Toggle Bolts
- Seventy (70) 1/4-20 x 3" Pan Phillips screws
- Ten (10) 1/4-14 x 3" TEK Hex Washer Head screws

Total weight: 4.7 lbs



CONCRETE HARDWARE KIT

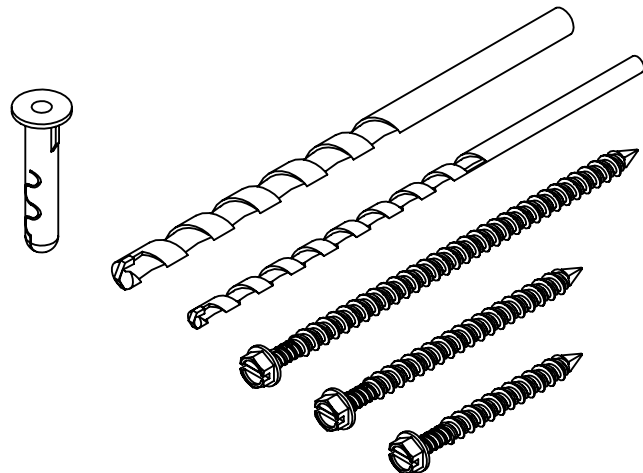
PRODUCT CODE
SDS-HW-CON-02

The Concrete Hardware Kit, when combined with the Raceway Attachment Kit (SDS-RW-AKT-02), includes the necessary materials to properly attach Holocom PDS components to concrete or solid block walls. One Concrete Hardware Kit supports the installation of 100 feet of Holocom Secure Raceway.

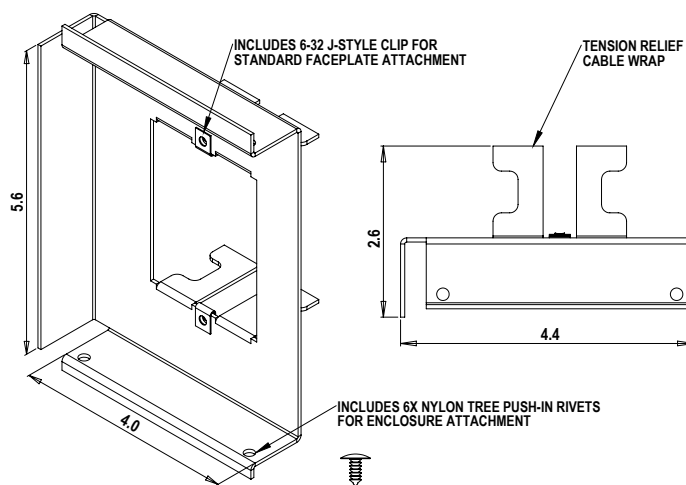
EACH KIT INCLUDES:

- Fifteen (15) 1/4" x 2 1/2" Hex Washer Head concrete screws
- Seventy (70) 1/4" x 3 1/4" Hex Washer Head concrete screws
- Twenty (20) 1/4" x 5" Hex Washer Head concrete screws
- Two (2) 3/16" x 6.5" Masonry drill bits
- Two (2) 5/16" x 6" Masonry drill bits
- Seventy (70) Alligator® flange anchors

Total Weight: 2.9 lbs



RETROFIT INSERT - BACK PLATE



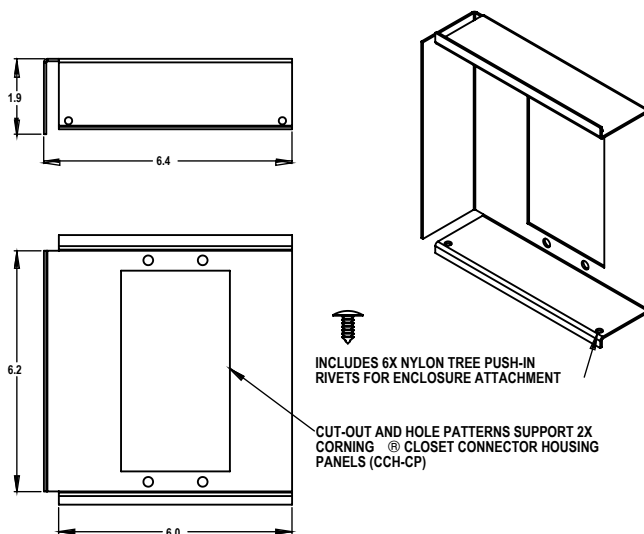
PRODUCT CODE SDS-IN-RTF

The Retrofit Insert – Back Plate (RTF) is constructed of powder coated 16-gauge, electro-galvanized steel and fits into High Security Enclosure SEC-WM-764-H1. The RTF improves installation efficiency by eliminating the need to order and install surface mount boxes and provides a cleaner look inside the enclosure. The RTF includes an integrated tension relief cable management wrap, a 6-32 U-style clip for a standard single-gang faceplate¹ attachment, and six nylon tree push-in rivets for attaching the RTF to the 764 Enclosure.

- Height 5.6" x Width 4.00" x Depth 2.6"
- 16-gauge electro-galvanized steel
- Weight .65 lbs
- Designed to fit High Security Enclosure SEC-WM-764-H1
- Integrated tension relief cable management wrap
- 6-32 U-style clip for a standard single-gang faceplate¹ attachment
- Six (6) nylon tree push-in rivets for enclosure attachment
- Powder Coat Finish: White Textured

¹ Compatible with most US single-gang faceplates. Angled connectors recommended

RETROFIT INSERT - BACK PLATE (RTF2)

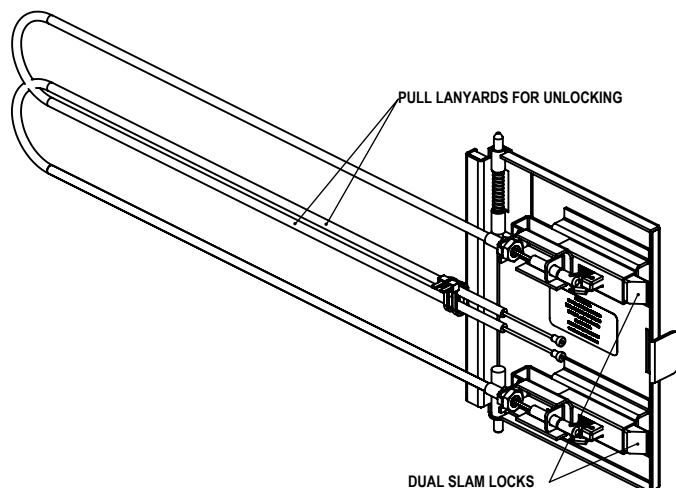


PRODUCT CODE SDS-IN-RTF-02

The Retrofit Insert – Back Plate 2 (RTF2) is designed specifically to fit inside the 885 High Security Enclosure (SEC-WM-885-H1). The RTF2 is constructed of powder-coated 16-gauge, electro-galvanized steel and eliminates the need to order and install surface mount boxes. The cut-out and hole pattern are designed to support 2x Corning Closet Connector Housing Panels (CCH-CP). Six nylon tree push-in rivets attach the RTF2 to the 885 Enclosure.

- Height 6.2" x Width 6" x Depth 1.9"
- 16-gauge electro-galvanized steel
- Weight 1.25 lbs
- Fits into High Security Enclosure SEC-WM-885-H1
- Supports two (2) Corning Closet Connector Housing Panels (CCH-CP)
- Six (6) nylon tree push-in rivets for enclosure attachment
- Powder Coat Finish: White Textured

RETROFIT SLAM LOCK DOOR



PRODUCT CODE SLD-RTF-764

The Retrofit Slam Lock Door for SEC-WM-764-H1 offers customers an alternative door to the one supplied with the 764 Enclosure (SEC-WM-764-H1). The Slam Lock Door closes securely and eliminates the need to use a Sargent & Greenleaf® High Security Padlock. Two pull lanyards release each slam lock and are accessible by unlocking the Holocom Secure Raceway.

- 16-gauge electro-galvanized steel door
- Weight 1.5 lbs
- Replaces door supplied with 764 Enclosure (SEC-WM-764-H1)
- Two slam locks connect to two pull lanyards for unlocking door
- Eliminates the need for a Sargent & Greenleaf® padlock.
- Powder Coat Finish: White Textured

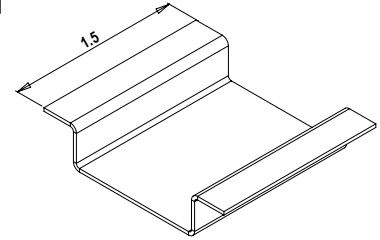
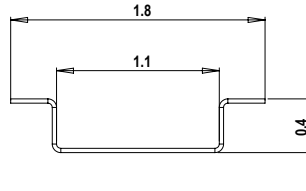
CABLE MANAGEMENT BRACKET

PRODUCT CODE

SDS-RW-CMB

During installation, the Cable Management Bracket (CMB) holds the network cabling in place in the raceway. This eliminates the need to use Velcro® or zip ties which must be removed prior to closing the raceway. The Cable Management Brackets may be left in the raceway once the installation is complete. Supplied in quantities of 30 per package.

- Length 1.5" x Width 1.8" x Height .4"
- 22-gauge electro-galvanized steel
- Not powder coated
- Weight .9 lbs per package
- Quantity: 30 per package



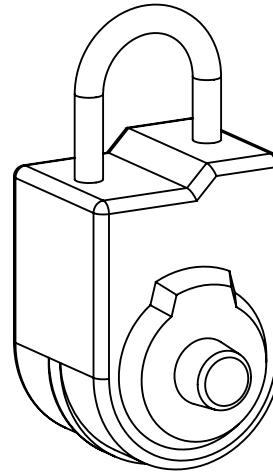
SARGENT AND GREENLEAF® LOCK

PRODUCT CODE

SDS-LK-SGL

The Sargent & Greenleaf® 8077AD Padlock is a specialized combination padlock designed to show obvious evidence of forced entry attempt. Unique serial numbers on three different lock parts ensure that critical parts are not broken to gain entry and then replaced. This Sargent & Greenleaf padlock is designed to meet stringent U.S. government specifications and is used in conjunction with all Holocom Secure Enclosures.

- Weight: 2 lbs
- Hardened steel shackle
- Meets stringent U.S. Government specifications
- 30-minute protection against expert manipulation
- 10-minute protection against surreptitious entry attack
- 125,000 possible lock combinations
- Reset lock combination with the included change key



SECURE RACEWAY TOUCH-UP PAINT

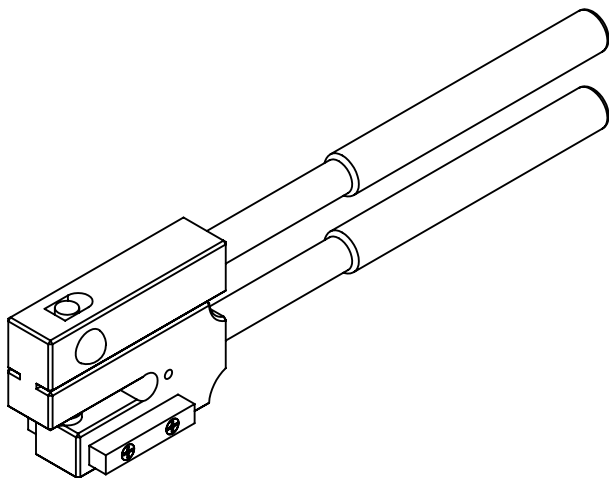
PRODUCT CODE

SDS-RW-PNT

The Secure Raceway Touch-Up Paint is a perfect match to the powder coat of the Holocom Secure PathWay. It is fast drying and includes an applicator brush.

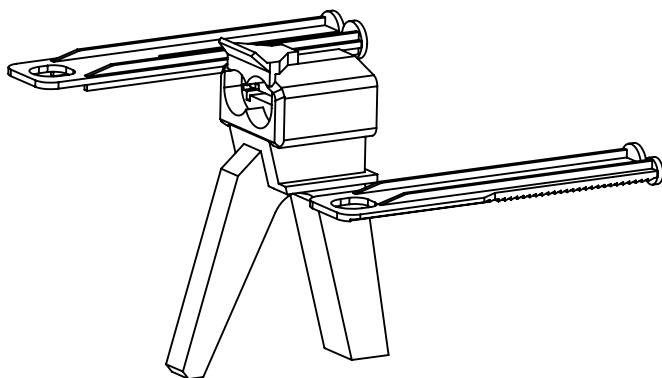
- Waterborne Acrylic Urethane
- Weight: 0.5 lb
- Three (3) bottles Touch-Up Paint
- One (1) applicator brush per bottle



SECURE RACEWAY PUNCH TOOL**PRODUCT CODE
SDS-TL-HHP**

The Holocom Secure Raceway Punch Tool quickly and accurately punches mounting holes at the ends of the Secure Raceway. This tool, custom made by Holocom, saves substantial labor on medium to large jobs. It also improves the accuracy of hole placement thereby reducing the likelihood of waste and improving the fit and security of the entire system.

- Weight: 4 lbs

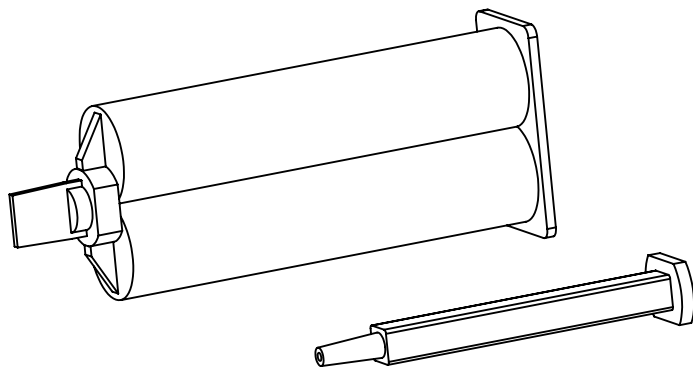
EPOXY GUN**PRODUCT CODE
SDS-GN-EXY**

The Holocom Epoxy Gun, a 3M™ EPX applicator, specifically works with 3M DP two-part epoxy dispensers and is used in applying 3M Epoxy to the Secure Raceway.

- Plastic
- Weight: 1 lb

KIT INCLUDES:

- One (1) - Applicator
- One (1) - 1:1 Plunger
- One (1) - 2:1 Plunger

**SECURE RACEWAY 3M® EPOXY
EPOXY NOZZLE****PRODUCT CODE
SDS-332781 EPOXY
SDS-332784 NOZZLE**

When required, Holocom provides an epoxy solution for Secure Raceway consisting of 3M™ two-part epoxy, dispensed using the 3M EPX nozzle.

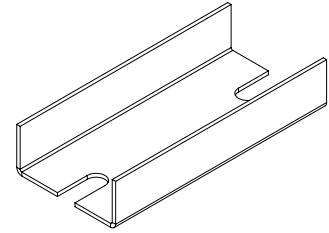
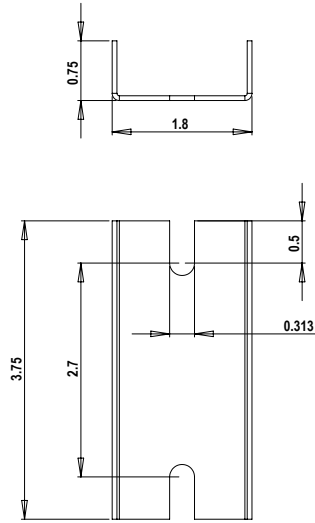
- 3M™ DP100NS Translucent 2-part Epoxy (SDS-332781)
- 3M EPX mixing nozzle (SDS-332784)
- Sold separately in desired quantity

SECURE RACEWAY JOINT SECURE RACEWAY JOINT KIT

PRODUCT CODE SDS-RW-SRJ JOINT SDS-RW-BRG KIT

The Secure Raceway Joint (SRJ) replaces the Bridge in the Raceway Attachment Kit and makes Secure Raceway installation faster and easier. The SRJ adds rigidity to all Secure Raceway end-to-end joints, and in suspended applications, replaces the Suspended Raceway Joint. The SRJ further improves installation efficiency with mounting points that align with the manufactured mounting points on the Secure Raceway. This eliminates the need for epoxy at the joint.

- Length 3.75" x Width 1.8" x Height .75"
- Weight .19 lb each
- Not powder coated
- 16-gauge electro-galvanized steel
- Mounting points align with manufactured mounting points on Secure Raceway
- Replaces Bridge in Raceway Attachment Kit and Suspended Raceway Joint
- Fifty (50) per Raceway Attachment Kit (SDS-RW-AKT-03), Page 18
- One hundred (100) per Secure Raceway Joint Kit (SDS-RW-BRG)
- Available individually (SDS-RW-SRJ)

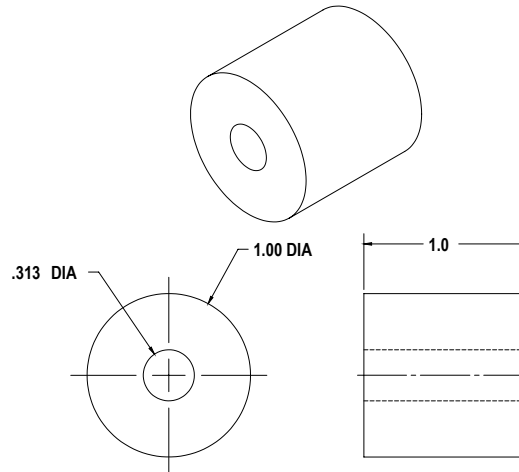


SECURE RACEWAY SPACERS WHITE

PRODUCT CODE SDS-RW-SPR-WT

The Raceway Spacers are used as a standoff to provide 360-degree inspection of the Secure Raceway. They are supplied in quantities of 100 and are also part of the Secure Raceway Attachment Kit (SDS-RW-AKT-02) with 40 Spacers per kit. Raceway Spacers are only available in a neutral white color providing enhanced aesthetic appearance.

- 1.0" x 1.0"
- Nylon 6/6
- Color: White
- Total quantity: 100
- Total weight: 2.5 lbs

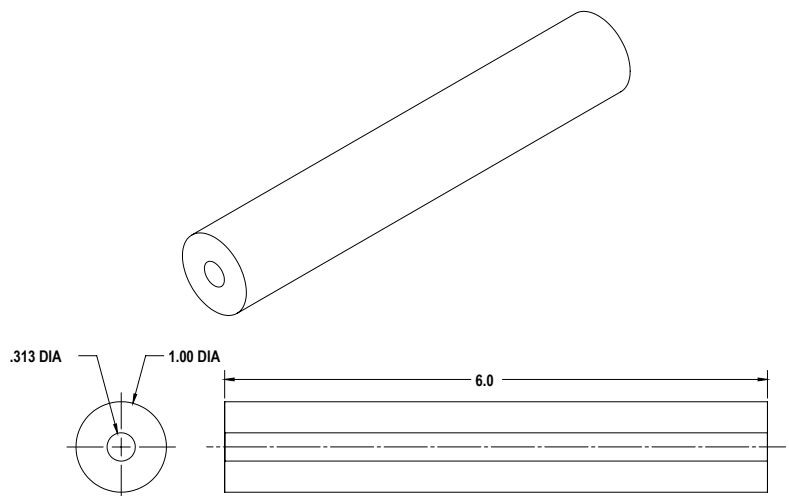


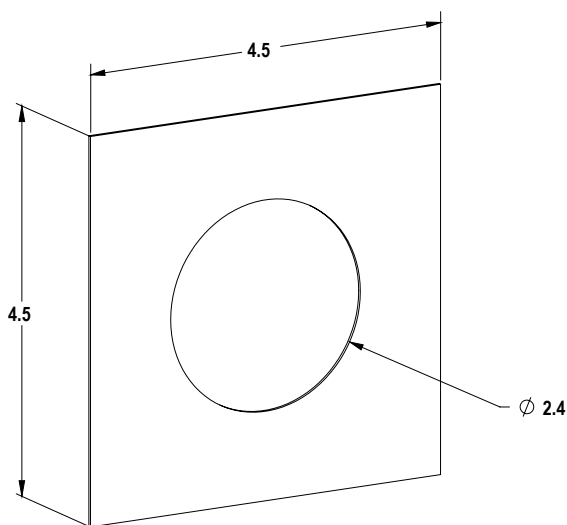
6" SECURE RACEWAY SPACER WHITE

PRODUCT CODE SDS-RW-SPR-WT6

The new, longer 6" Raceway Spacer provides a convenient solution when installing Secure Raceway on walls with uneven depths or irregular surfaces. Six-inch Spacers can be cut to the required lengths thereby allowing a consistent standoff depth along a section of Secure Raceway.

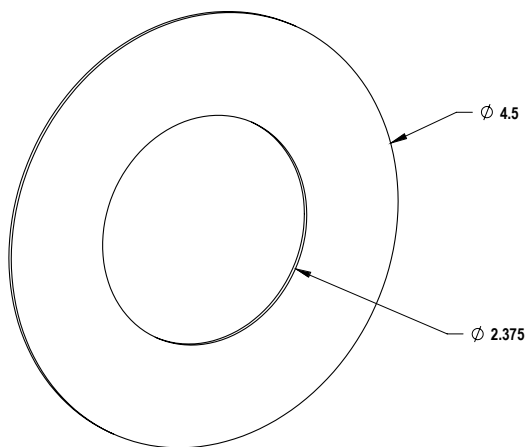
- 6.0" x 1.0"
- Nylon 6/6
- Color: White
- Sold individually
- Total weight: .19 lbs



4.5" TRIM RING**PRODUCT CODE
SDS-1003572**

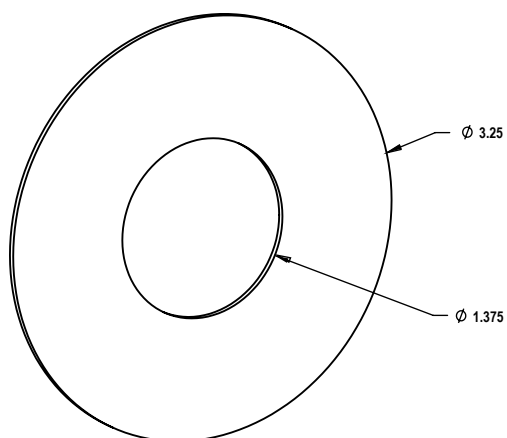
The 4.5" Trim Ring covers the hole made when installing 2" diameter Through-Wall Kits.

- 20-gauge electro-galvanized steel
- Length 4.5" x Width 4.5" x Thickness 20-gauge
- 2.4" hole diameter
- 5 Trim Rings per package
- Total weight: 2.5 lbs
- Powder Coat Finish: White Textured

4.5" ROUND TRIM RING**PRODUCT CODE
SDS-1004527**

The 4.5" Round Trim Ring provides an alternative to the 4.5" square Trim Ring (SDS-1003572). Like the original 4.5" square Trim Ring, the diameter of the hole is 2.4 inches and covers the hole made when installing 2" diameter Through-Wall Kits.

- 18-gauge electro-galvanized steel
- 4.5" Diameter x Thickness 18-gauge
- 2.375 hole diameter
- 100 Trim Rings per package
- Weight .16 lb each; 16 lbs/pkg
- Powder Coat Finish: White Textured

3.25" TRIM RING**PRODUCT CODE
SDS-1004526**

The 3.25" round cosmetic Trim Ring covers the hole made when installing 1" diameter Through-Wall Kits through the back of Secure Raceway or a Connector. The 3.25" Trim Ring should be used in conjunction with a 1" conduit locknut (sold separately).

- 18-gauge electro-galvanized steel
- 3.25" Diameter x Thickness 18-gauge
- 1.375 hole diameter
- 100 Trim Rings per package
- Weight .1 lb each; 10 lbs/pkg
- Powder Coat Finish: White Textured

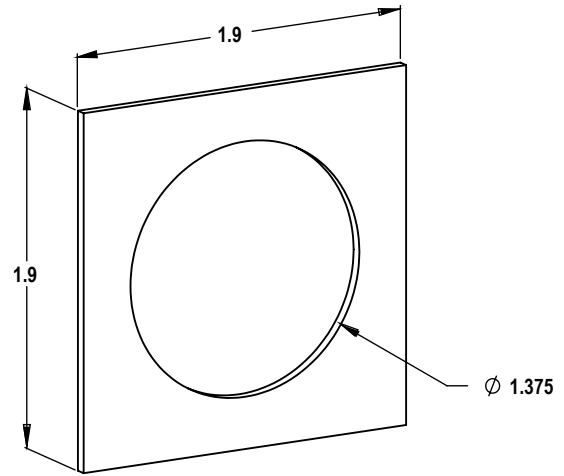
2" TRIM RING

PRODUCT CODE

SDS-2002797

The 2" Trim Ring covers the hole made when installing 1" diameter Through-Wall Kits from one section of Secure Raceway to another section of Secure Raceway or other Holocom PDS component. The 2" Trim Ring should be used in conjunction with a 1" conduit locknut (sold separately). The 2" Trim Ring is identical to the Interface Sleeve Reducing Washer (SDS-1002797) except that it has a white textured powder coat finish. Supplied five per package.

- Length 1.9" x Width 1.9" x Thickness 16-gauge
- 16-gauge electro-galvanized steel
- 1.375 hole diameter
- 5 Trim Rings per package
- Weight: .1 lb each; .5 lbs/pkg
- Powder Coat Finish: White Textured



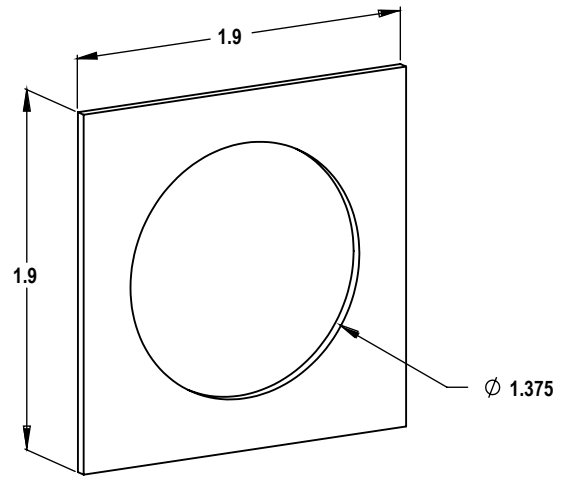
INTERFACE SLEEVE REDUCING WASHER

PRODUCT CODE

SDS-1002797

The Interface Sleeve (INF) Reducing Washer is the same reducing washer currently contained in the #5 Through-Wall Kit (SDS-TW-005-12/24). Supplied five per package.

- Length 1.9" x Width 1.9" x Thickness 16-gauge
- 16-gauge electro-galvanized steel
- Unpainted
- 1.375 hole diameter
- 5 INF Reducing Washers per package
- Weight: .1 lb each; .5 lbs/pkg



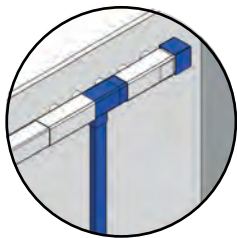
NOTES:



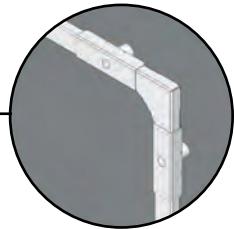
SECURE MINI DUKT™

In response to customer requests, Holocom engineered **SECURE MINI DUKT™**, a reduced profile cable carrier to use in conjunction with 2" x 2" Holocom Secure Raceway. All components are powder-coated and match the aesthetics offered in Holocom PDS. Constructed of 18-gauge galvanized steel, **SECURE MINI DUKT™** meets the "spirit and intent" of NSTISSI 7003 and offers:

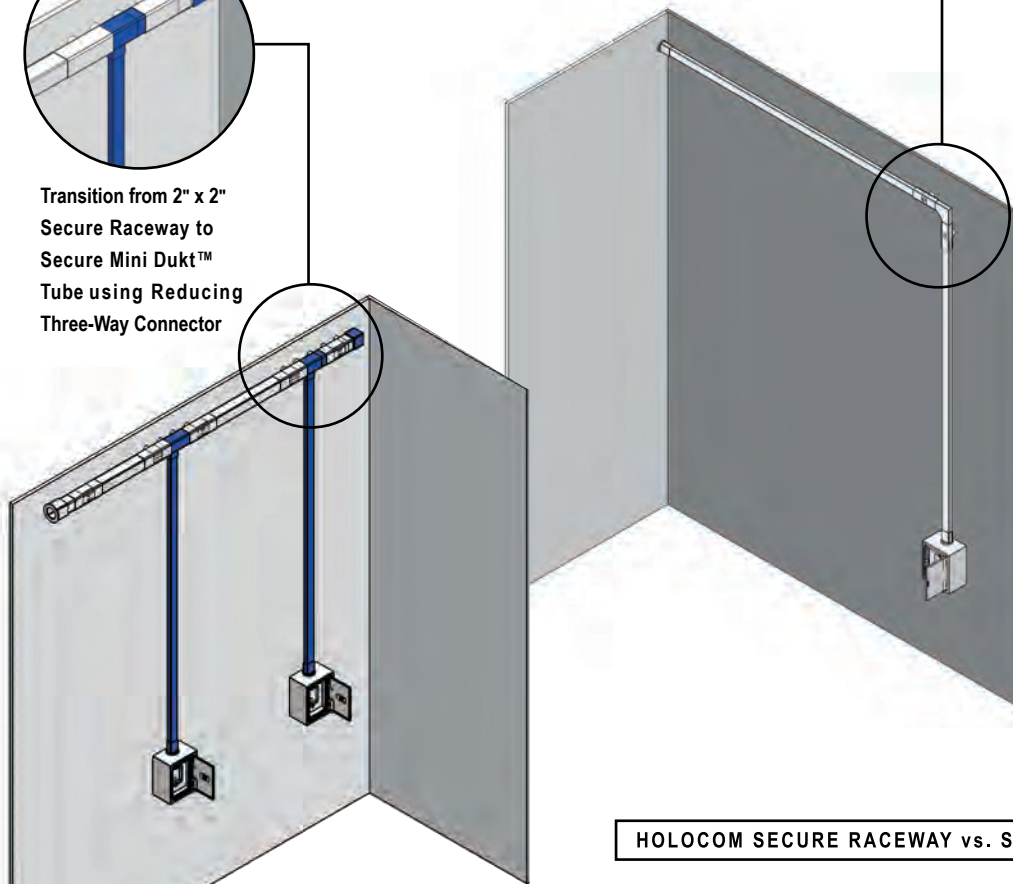
- Smaller footprint on the wall without compromising security or user functionality
- Reduced number of parts resulting in labor efficiency and savings
- Decreased material cost including lower shipping costs
- Economic use of materials



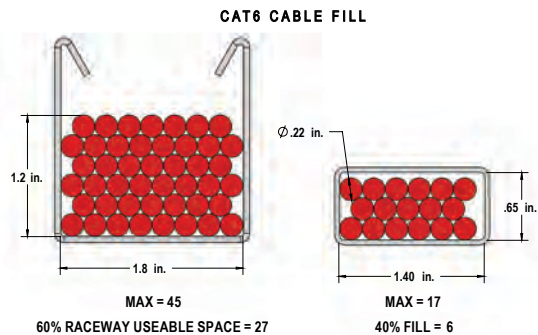
Transition from 2" x 2" Secure Raceway to Secure Mini Dukt™ Tube using Reducing Three-Way Connector



Secure Mini Dukt™ performing a right-angle turn to a User Drop Box



HOLOCOM SECURE RACEWAY vs. SECURE MINI DUKT™



To discuss how Secure Mini Dukt™ can be incorporated into your site requirements, contact customer service.

Patent Pending

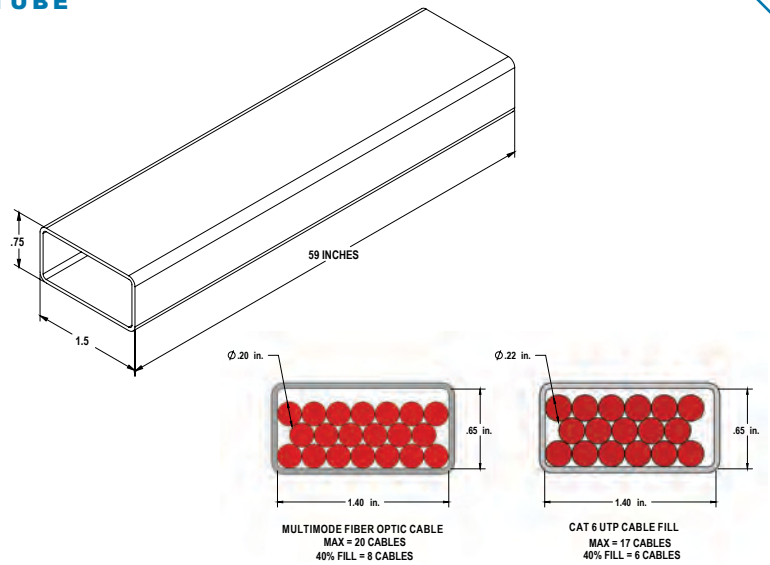


PRODUCT CODE SMD-WM-T50

The wall-mounted Secure Mini Dukt™ Tube is a reduced profile cable carrier that provides a smaller footprint on the wall without compromising sufficient cable capacity. Constructed of 18-gauge steel, the single-piece Tube encloses and protects secure network cables and integrates with Holocom PDS Secure Raceway. With the addition of other Secure Mini Dukt™ components, the Tube can transition from Secure Raceway to a User Drop Box.

- 18-gauge electro-galvanized steel
- Length 59" x Width 1.5" x Height .75"
- Supplied in 10 sections in a nominal 50-foot kit
- Total weight: 41 lbs
- Powder Coat Finish: White Textured

TUBE

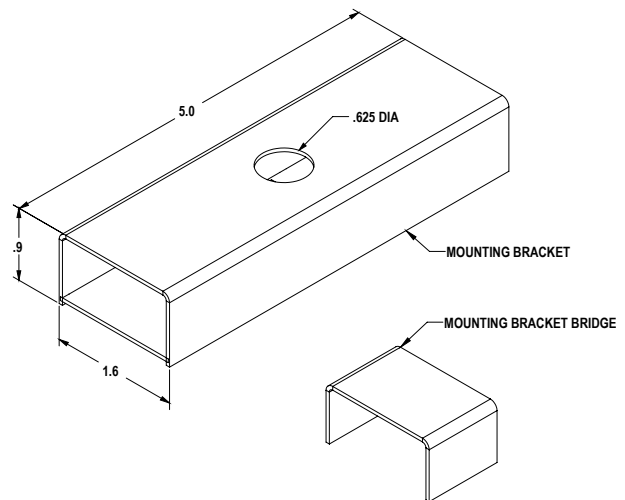


PRODUCT CODE SMD-WM-MB

The Secure Mini Dukt™ Mounting Bracket serves a dual purpose by providing the installation point for attaching Secure Mini Dukt™ Tube to the wall and securely holding two ends of Tube together. EMT, by contrast, requires both straps and connectors to achieve a secure attachment to the wall. The two-piece Mounting Bracket contains a built-in stopper on both sides of the manufactured mounting point. This simplifies installation and allows for a 2" overlap of Tube or 090 Connector with the Mounting Bracket without covering the hole. The Mounting Bracket Bridge aligns with the stopper inside the Mounting Bracket, covers the mounting point, and provides security.

- Length 5" x Width 1.6" x Height .9"
- 18-gauge electro-galvanized steel
- Weight .34 lbs
- Manufactured mounting point along center line
- Mounting Bracket Bridge covers mounting point and provides security
- Powder Coat Finish: White Textured

MOUNTING BRACKET

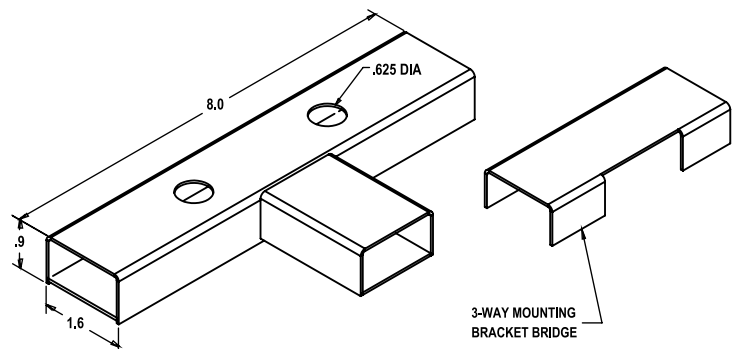


PRODUCT CODE SMD-MB-3WY

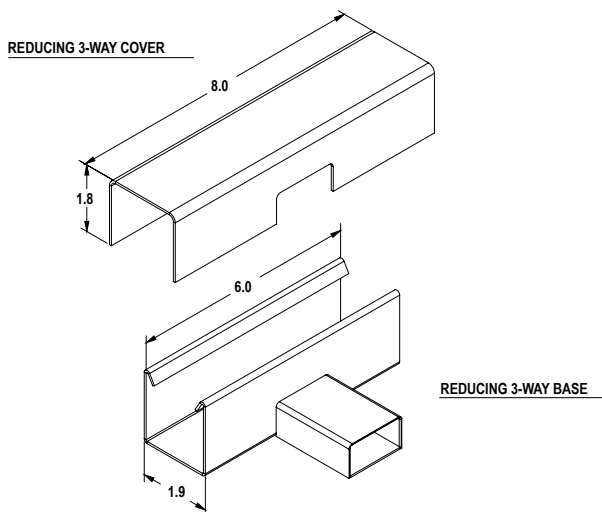
The T-shaped Secure Mini Dukt™ Mounting Bracket Three-Way Connector provides a right angle drop from two sections of Secure Mini Dukt™ (SMD) Tube to a User Drop Box (SEC-WM-UDB3-H1). The new two-piece connector contains two manufactured mounting points for easy installation and serves as a mounting bracket for two sections of Tube. The mounting bracket bridge slides inside the connector, covers the mounting points, and provides a two-inch overlap with SMD Tube at each end.

- Length 1.6" x Width 8" x Depth .9"
- 18-gauge electro-galvanized steel
- Weight 0.8 lbs
- Two manufactured mounting points along raceway centerline
- Mounting bracket bridge covers mounting points and provides security
- Powder Coat Finish: White Textured

MOUNTING BRACKET THREE-WAY CONNECTOR

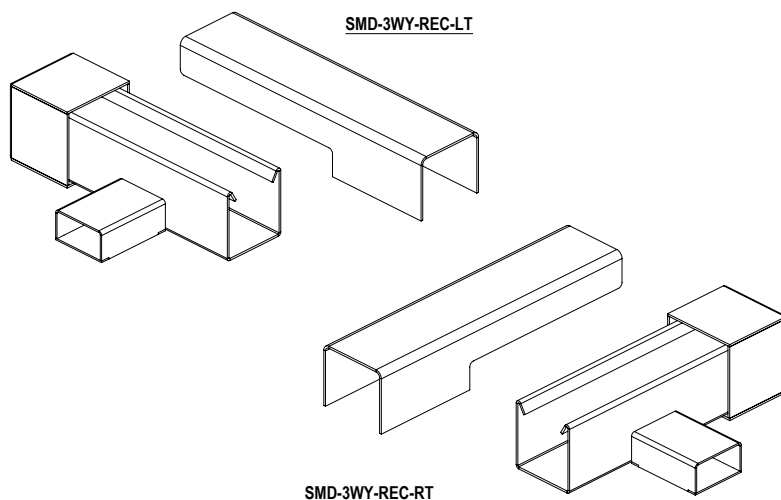


REDUCING THREE-WAY CONNECTOR

PRODUCT CODE
SMD-CT-3WY

The Reducing Three-Way Connector provides the transition between 2" x 2" Secure Raceway and Secure Mini Dukt™, usually leading to a User Drop Box. This T-shaped, two-piece connector consists of a 16-gauge base and cover and an 18-gauge transition tube welded to the base. Installation between two sections of Secure Raceway requires one Steel Locking Kit (SDS-LK-KIT-ST), one End-To-End Connector (SDS-CT-EE6-ST) and two Secure Raceway Joints (SDS-RW-SRJ). When used at the end of a Secure Raceway run, the installer would use one Steel Locking Kit, one End-to-End Connector, two Secure Raceway Joints, and one Run End Connector (SDS-WM-REC) to complete the run.

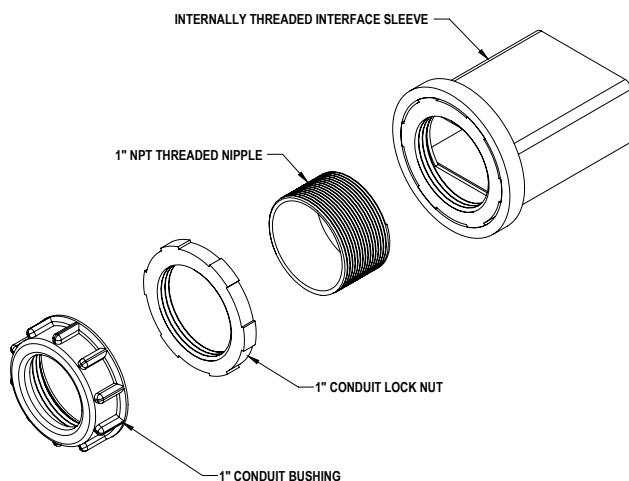
- 16-gauge electro-galvanized steel and 18-gauge transition tube
- Length 8" x Width 1.9" x Depth 1.8"
- Weight 1.5 lbs
- Two manufactured mounting points located along base center line
- Powder Coat Finish: White Textured

THREE-WAY RUN END CONNECTOR LEFT
THREE-WAY RUN END CONNECTOR RIGHTPRODUCT CODE
SMD-3WY-REC-LT
SMD-3WY-REC-RT

The Secure Mini Dukt™ Three-Way Run End Connector combines two products—the Reducing Three-Way Connector (SMD-CT-3WY) and Run End Connector (SDS-CT-REC)—into a single product used to end a section of Secure Raceway with a Secure Mini Dukt™ user drop. The new connector improves labor efficiency by eliminating three products previously required for installation. Two (2) manufactured points along the base center line provide additional simplified labor-saving installation. To connect the Three-Way Run End Connector to a section of 2" x 2" Secure Raceway, use one Secure Raceway Joint (SDS-CT-SRJ) and one End-to-End Connector (SDS-CT-EE6-ST). Use the SMD-3WY-REC-LT for raceway runs that end to the left. Use the SMD-3WY-REC-RT for raceway runs that end to the right.

- 16-gauge electro-galvanized steel with 18-gauge transition tube
- Weight 2.0 lbs
- Two (2) manufactured mounting points along base center line
- Sold individually
- Powder Coat finish: White Textured

INTERFACE SLEEVE

PRODUCT CODE
SMD-CT-INF

The Secure Mini Dukt™ Interface Sleeve (INF) is designed to transition Secure Mini Dukt™ Tube to a Secure Enclosure. The 18-gauge INF contains 1" internal threads and is supplied with a 1" NPT threaded nipple, 1" conduit lock nut, and 1" conduit bushing.

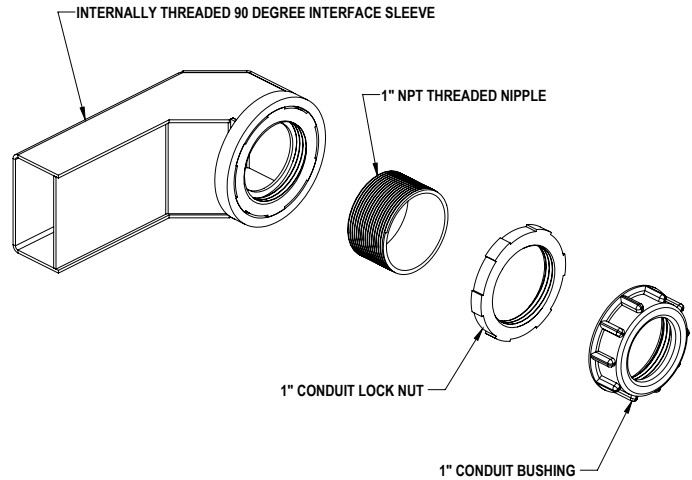
- Electro-galvanized steel
- 1" NPT internal threads
- Total Weight .4 lbs
- Includes:
 - Interface Sleeve
 - 1" NPT threaded nipple
 - 1" conduit lock nut
 - 1" conduit bushing
- Powder Coat Finish: White Textured

90° INTERFACE SLEEVE

PRODUCT CODE
SMD-CT-INF-90

The Secure Mini Dukt™ 90° Interface Sleeve (INF) provides a seamless 90° transition from a Secure Enclosure or Through-Wall Kit to Secure Mini Dukt™ Tube. The internally threaded 90° INF has a 45° angled bend in the connector body allowing smooth movement of cabling across the bend. The 90° INF is supplied with a 1" NPT threaded nipple, 1" conduit lock nut, and 1" conduit bushing. It can be used in conjunction with Through-Wall Kits 1, 5, 6, and 7.

- Electro-galvanized steel
- 1" NPT internal threads
- Total Weight .5 lbs
- Includes:
 - 90° Interface Sleeve
 - 1" NPT threaded steel pipe
 - 1" conduit lock nut
 - 1" conduit bushing
- Powder Coat Finish: White Textured

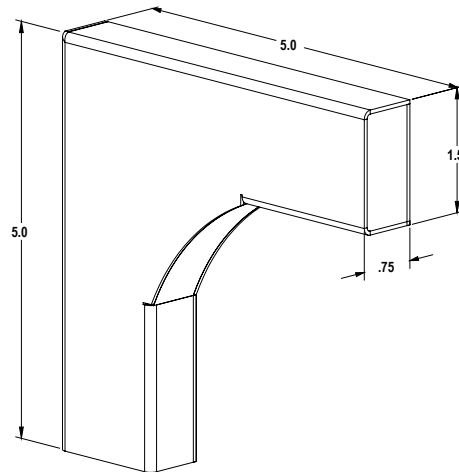


90° CONNECTOR

PRODUCT CODE
SMD-CT-090

The Secure Mini Dukt™ 90° Connector allows Secure Mini Dukt™ Tube to perform a right-angle turn while traveling on a flat surface. The 90° Connector features a 3" bend radius allowing smooth movement of cabling across the bend. Installation requires two Secure Mini Dukt™ Mounting Brackets (SMD-WM-MB) to transition between two sections of Tube.

- 18-gauge electro-galvanized steel
- Length 5" x Width 5" x Depth .75"
- Weight .5 lbs
- Powder Coat Finish: White Textured

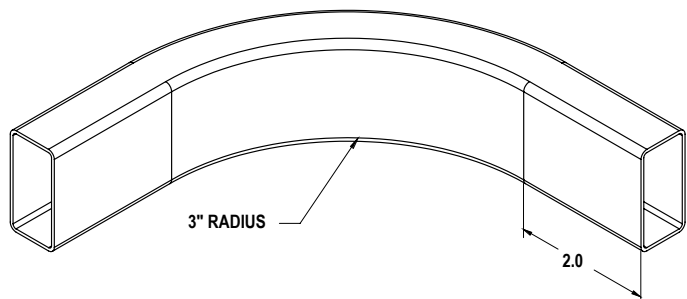


90° CORNER CONNECTOR

PRODUCT CODE
SMD-CT-90C

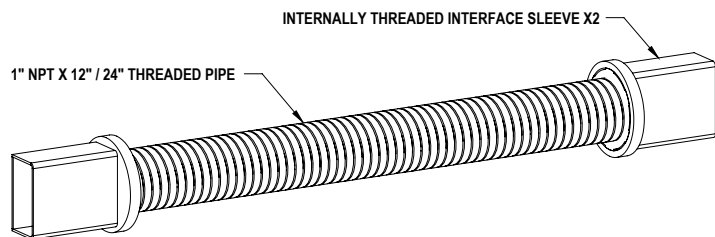
The Secure Mini Dukt™ 90° Corner Connector allows Secure Mini Dukt™ Tube to perform a right-angle turn on an inside or outside corner. This compact, versatile connector provides a 3-inch bend radius allowing smooth movement of cable across the corner. Two (2) Secure Mini Dukt™ Mounting Brackets (SMD-WM-MB) – one for each end of the Corner Connector – are required to mount the Connector and Tube to the wall.

- 18-gauge electro-galvanized steel
- Requires 2 Secure Mini Dukt Mounting Brackets (SMD-WM-MB), sold separately
- Weight .5 lbs
- Powder Coat Finish: White Textured



#6 THROUGH-WALL KIT

PRODUCT CODE
SMD-TW-006-12/24



The #6 Secure Mini Dukt™ (SMD) Through-Wall Kit provides a 1" through-wall pathway connecting:

- SMD Tube to SMD Tube
- SMD Tube to a SMD connector

It is supplied in kits with 12" or 24" NPT threaded pipe and two SMD Interface Sleeves. The Secure Mini Dukt™ INF is designed with internal rather than external threads. This maximizes installation efficiency in concrete walls by eliminating the need for a larger diameter coupler and corresponding larger concrete core.

12"

- Galvanized steel threaded pipe
- Total weight: 1.6 lbs

THROUGH-WALL KIT INCLUDES:

- One (1) - 1" x 12" NPT threaded pipe
- Two (2) - Secure Mini Dukt™ Interface Sleeves

24"

- Galvanized steel threaded pipe
- Total weight: 2.6 lbs

THROUGH-WALL KIT INCLUDES:

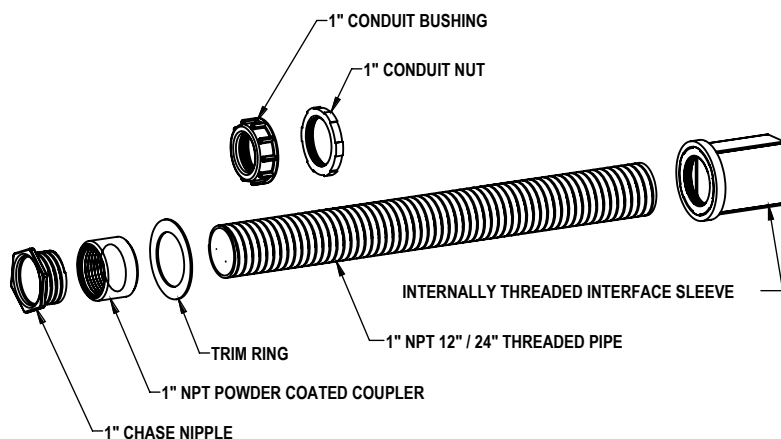
- One (1) - 1" x 24" NPT threaded pipe
- Two (2) - Secure Mini Dukt™ Interface Sleeves

See: www.holocom.com/throughwall.html for installation instructions.

#7 THROUGH-WALL KIT



PRODUCT CODE
SMD-TW-007-12/24



The updated #7 Secure Mini Dukt™ (SMD) Through-Wall Kit provides a 1" through-wall pathway in multiple installation scenarios, including:

- SMD Tube to SDS 2"x2" Secure Raceway or Secure Large Carrier (SLC) Raceway
- SMD Tube with SMD Connector to SDS 2"x2" Raceway or SLC Raceway
- SMD Tube to a User Drop Box or other enclosure

The newer components provide maximum inside diameter, smoother cable movement, and powder-coated trim ring and coupler for a more finished appearance.

12"

- Galvanized steel threaded pipe
- Total weight: 2 lbs

THROUGH-WALL KIT INCLUDES:

- One (1) - 1" x 12" NPT threaded pipe
- One (1) - 1" conduit bushing
- One (1) - 1" conduit lock nut
- One (1) - 1" Chase nipple
- One (1) - 1" NPT powder-coated coupler
- One (1) trim ring
- One SMD Interface Sleeve

24"

- Galvanized steel threaded pipe
- Total weight: 3 lbs

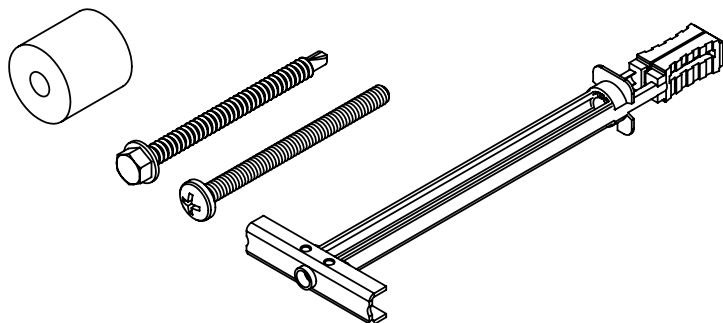
THROUGH-WALL KIT INCLUDES:

- One (1) - 1" x 24" NPT threaded pipe
- One (1) - 1" conduit bushing
- One (1) - 1" conduit lock nut
- One (1) - 1" Chase nipple
- One (1) - 1" NPT powder-coated coupler
- One (1) trim ring
- One SMD Interface Sleeve

See: www.holocom.com/throughwall.html for installation instructions.

GYPSUM ATTACHMENT KIT

PRODUCT CODE
SMD-GYP-AKT



The Secure Mini Dukt™ Gypsum Attachment Kit contains the materials necessary to properly attach Secure Mini Dukt™ to gypsum dry walls, hollow walls, panel walls, or steel studs. One Gypsum Attachment Kit supports the installation of 50 feet of Secure Mini Dukt™ Tube supplied in one kit (SMD-WM-T50). Note that 1" standoff spacers are included and are the same item supplied in the Raceway Attachment Kit (SDS-RW-AKT-02).

Each kit includes:

- Twenty five (25) 1/4"-20 Toggle Bolts
- Twenty five (25) 1/4"-20 x 3" Pan Phillips screws
- Five (5) 1/4"-14 x 3" TEK Hex Washer Head screws
- Twenty (20) Nylon 6/6 White Raceway Spacers

Total weight: 4.5 lbs

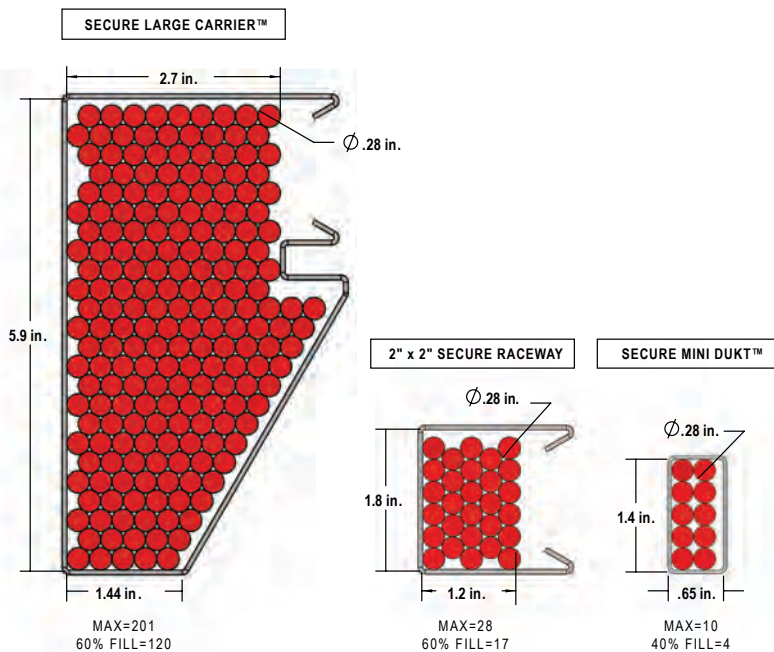


SECURE LARGE CARRIER™

Introducing SECURE LARGE CARRIER™, the new large caliber raceway from Holocom®. SECURE LARGE CARRIER™ provides more than seven times the cable capacity of industry standard Holocom 2" x 2" Secure Raceway, making it the perfect backbone carrier for home run cable design systems. With SECURE LARGE CARRIER™, 2" x 2" Secure Raceway, and Secure Mini Dukt™ users now have a complete complement of Holocom cable carrier options for Protective Distribution System (PDS) design.

Features	Benefits
• More than 7x the capacity of Holocom 2" x 2" Secure Raceway	• Satisfies high-density cable count requirements
• Powder coated, tamper evident finish	• Enhances inspection and NSTISSI 7003 compliance
• Used as a backbone carrier for home run cable design systems	• Eliminates the need for multiple parallel smaller cable carriers
• Interlocking parts allow moves, adds, and changes (MACs)	• Allows true inspection of cables/connections & reduces PDS lifecycle costs
• Familiar Holocom patented locking technology, drop-in cable installation and installer-friendly mounting techniques	• Reduces installation time and cost

Specifications
• 16-gauge, electro-galvanized steel
• 6" x 3.5" two-piece secure raceway
• MAX 200 CAT 6 cable capacity
• Integrates with 2" x 2" Secure Raceway and Secure Mini Dukt™
• White textured powder-coat finish
• Supplied in 5' sections in a 20' kit



HOLOCOM® CABLE CARRIER OPTIONS
CAT 6 Cable Fill

To discuss how Secure Large Carrier™ can be incorporated into your site requirements, contact customer service.

Patent Pending

SECURE LARGE CARRIER™ OVERVIEW





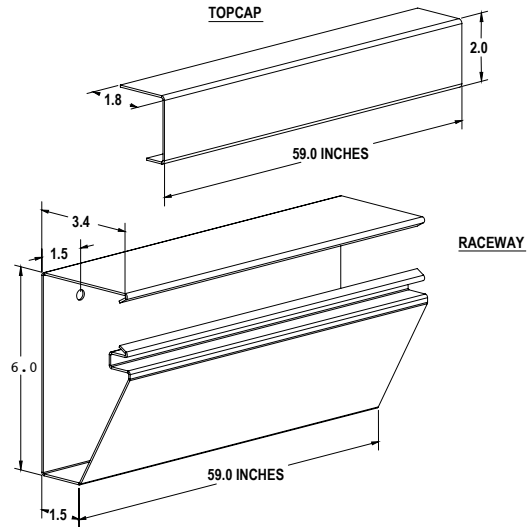
RACEWAY & TOPCAP KIT

PRODUCT CODE

SLC-WM-RCW-ST-20

Secure Large Carrier™ Raceway provides more than seven (7) times the cable capacity of industry standard Holocom SDS Secure Raceway, making it the perfect backbone carrier for home run cable design systems. Like SDS Secure Raceway, it uses the patented Holocom locking system enabling users to make moves, adds, and changes. One manufactured mounting point at each end of the raceway aligns with the Mounting Bracket for simplified, labor-saving installation. Kit includes four (4) Secure Raceway Joints (SLC-RW-SRJ).

- 16-gauge electro-galvanized steel
- Components:
 - Raceway: Length 59" x Height 6" x Width 3.4"
 - TopCap: Length 59" x Height 2" x Width 1.8"
 - Secure Raceway Joint (SLC-RW-SRJ): Four (4)
- Max 200 CAT 6 cable capacity
- Integrates with SDS Secure Raceway & Secure Mini Dukt™
- One manufactured mounting point 1.5" from each raceway end
- Supplied in 5' sections in a 20' kit
- Total kit weight: 97 pounds
- Powder Coat Finish: White Textured



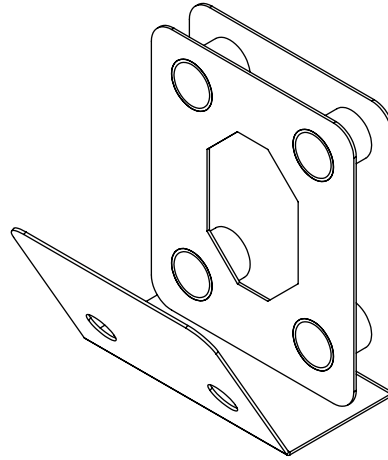
MOUNTING BRACKET

PRODUCT CODE

SLC-WM-MB

The Secure Large Carrier™ Mounting Bracket provides three distinct functions. It holds two ends of connected raceway, provides the raceway installation point, and stands the raceway one inch off the wall. The Mounting Bracket has four (4) integrated one-inch spacers and four (4) manufactured mounting points for simplified, labor-saving installation. The two upper mounting points align with the mounting points on the two ends of adjoining raceway or connector.

- 16-gauge electro-galvanized steel
- Four (4) manufactured mounting points including two (2) manufactured mounting points that align with each adjoining section of raceway
- Four integrated one-inch spacers allow 360° inspection
- Packaged individually
- Weight 1.75 lbs
- Powder Coat Finish: White Textured



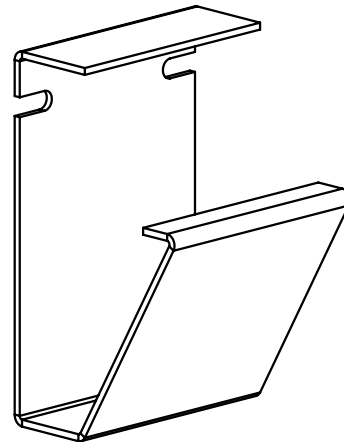
SECURE RACEWAY JOINT

PRODUCT CODE

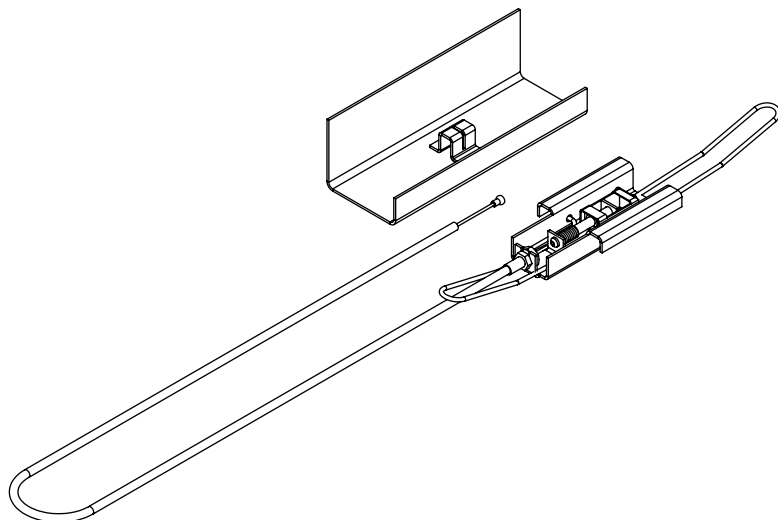
SLC-RW-SRJ

The Secure Large Carrier™ Secure Raceway Joint adds rigidity to all Secure Large Carrier™ Raceway or Connector end-to-end joints. Two (2) manufactured mounting points align with the MMPs on the Secure Large Carrier™ Mounting Bracket and Raceway or Mounting Bracket and Connector (SLC-CT-90i/ SLC-CT-90e) allowing simplified, labor-saving installation.

- 12-gauge electro-galvanized steel
- Weight 1.5 lbs
- Two (2) manufactured mounting points
- Packaged individually
- Not powder coated



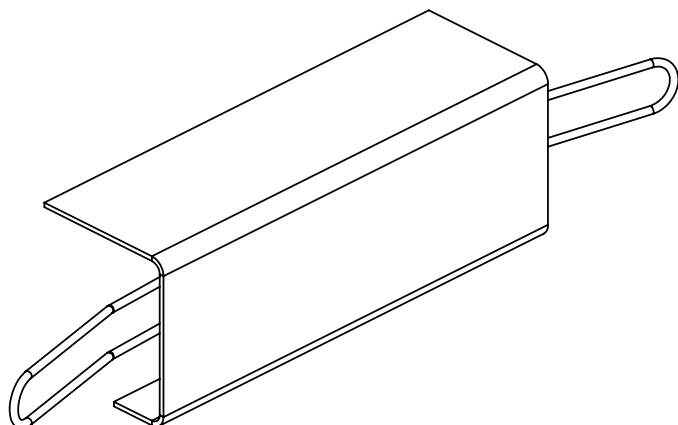
LOCK KIT


PRODUCT CODE
SLC-LK-KIT


The Secure Large Carrier™ Lock Kit uses the same patented locking technology used with Holocom 2" x 2" Secure Raceway. The Lock Kit consists of two parts: Raceway Lock Connector and Lock Body Assembly. When in "lock-down" position, the entire raceway is secure and the enclosed cables are protected. Releasing the lock enables the raceway to undergo moves, adds, and changes (MACs).

- 16-gauge electro-galvanized steel
- Components:
 - Raceway Lock Connector
 - Lock Body Assembly with 30" lanyard
- Total Weight: 1 lb
- Powder Coat Finish: White Textured (Lock Connector)

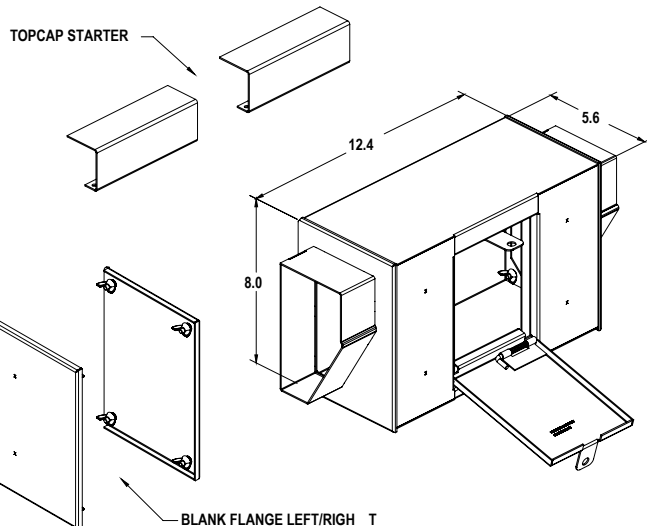
END-TO-END CONNECTOR


PRODUCT CODE
SLC-CT-EE6


The Secure Large Carrier™ End-To-End Connector securely joins two sections of Secure Large Carrier™ TopCap, or Secure Large Carrier™ Connector (SLC-CT-90i/SLC-CT-90e) cover and TopCap.

- 16-gauge electro-galvanized steel
- Weight: 1 lb
- Packaged individually
- Powder Coat Finish: White Textured

PULL BOX 0


PRODUCT CODE
SLC-WM-PBO-H1


The versatile PB0 allows Secure Large Carrier™ (SLC) to cross hallways, transition from a comm room, and transition to SDS Raceway and Secure Mini Dukt™ (SMD) Tube. It has an integrated Interface Sleeve (INF) on each side for SLC Raceway, and two TopCap starter pieces for installing the SLC Lock Kit. The INF assembly is easily removed if unused, and right/left replacement Blank Flanges are included. The PB0 allows SDS Raceway and SMD Tube to exit through the front on either side of the door opening as well as through the top, bottom, or sides (with Blank Flange). Tamper resistant door has internal spring hinge and proprietary back flange and is identical to the User Drop Box doors.

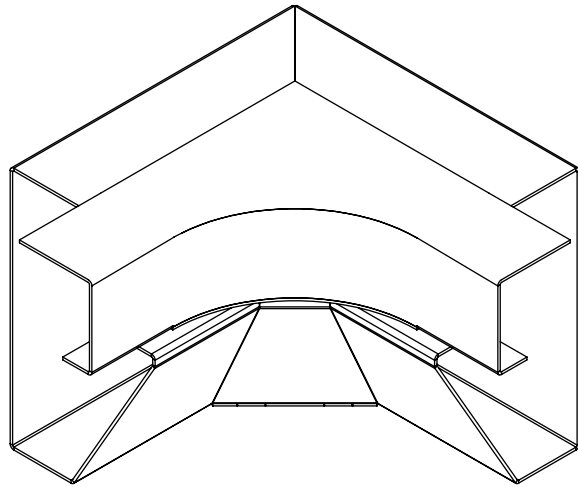
- Height 8" x Width 12.4" x Depth 5.6"
- 16-gauge electro-galvanized steel
- Two (2) integrated Interface Sleeves (SLC)
- Single drop-down door with internal spring hinge and hasp for Sargeant & Greenleaf® padlock
- Includes two (2) Blank Flanges, left and right
- Includes two (2) TopCap Starter pieces
- Total weight: 11.5 lbs
- Powder Coat Finish: White Textured



**90° INTERNAL CONNECTOR**
PRODUCT CODE
SLC-CT-90i

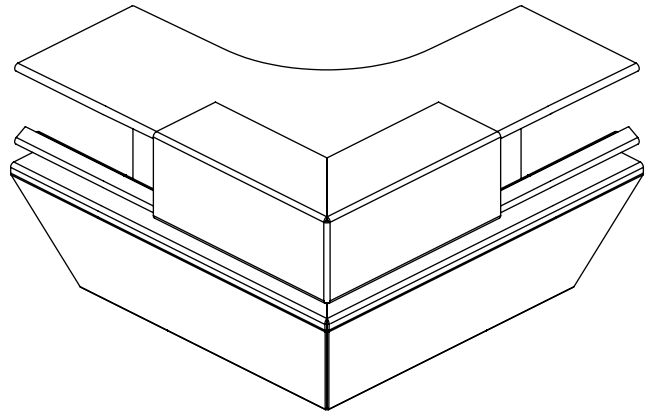
The two-piece Secure Large Carrier™ 90° Internal Connector allows Secure Large Carrier™ Raceway to perform a right-angle turn on an inside corner. The 90° Internal Connector has the same height/width dimensions as Secure Large Carrier™ Raceway/TopCap and sits inside the Mounting Bracket for easy installation. Two (2) manufactured mounting points align with mounting points on the Mounting Bracket for simplified, labor-saving installation. A 3" bend radius allows smooth cable movement across the connector.

- 16-gauge electro-galvanized steel
- Two-piece construction
- 3" bend radius allows smooth cable movement
- Weight: 4 lbs
- Two (2) labor-saving manufactured mounting points, one at each end
- Powder Coat Finish: White Textured

**90° EXTERNAL CONNECTOR**
PRODUCT CODE
SLC-CT-90e

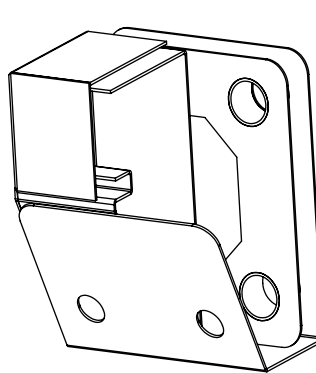
The two-piece Secure Large Carrier™ 90° External Connector allows Secure Large Carrier™ Raceway to perform a right-angle turn on an outside corner. The 90° External Connector has the same height/width dimensions as Secure Large Carrier™ Raceway/TopCap and sits inside the Mounting Bracket for easy installation. Two (2) manufactured mounting points align with mounting points on the Mounting Bracket for simplified, labor-saving installation. A 3" bend radius allows smooth cable movement across the connector.

- 16-gauge electro-galvanized steel
- Two-piece construction
- 3" bend radius allows smooth cable movement
- Weight: 4.75 lbs
- Two (2) labor-saving manufactured mounting points, one at each end
- Powder Coat Finish: White Textured

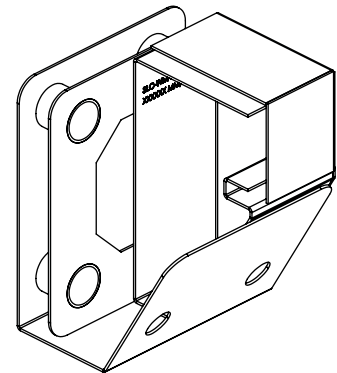

RUN END CONNECTOR LEFT
RUN END CONNECTOR RIGHT
PRODUCT CODE
SLC-CT-REC-LT
SLC-CT-REC-RT

The Secure Large Carrier™ Run End Connector Left/Right with welded end cap is used to end a run of Secure Large Carrier™ Raceway. Two (2) manufactured mounting points allow simplified, labor-saving installation. The upper mounting point aligns with the mounting point on the end of adjoining raceway. Four (4) integrated one-inch spacers stand the connector and raceway off the wall. The Run End Connector also allows a transition to a 1" Through-Wall Kit. Use the Run End Connector Left (SLC-CT-REC-LT) for raceway runs that end to the left. Use the Run End Connector Right (SLC-CT-REC-RT) for raceway runs that end to the right.

- 16-gauge electro-galvanized steel
- Two (2) manufactured mounting points
- Four (4) integrated one-inch spacers allow 360° inspection
- Packaged individually
- Weight: 2.75 lbs
- Powder Coat Finish: White Textured Kit.

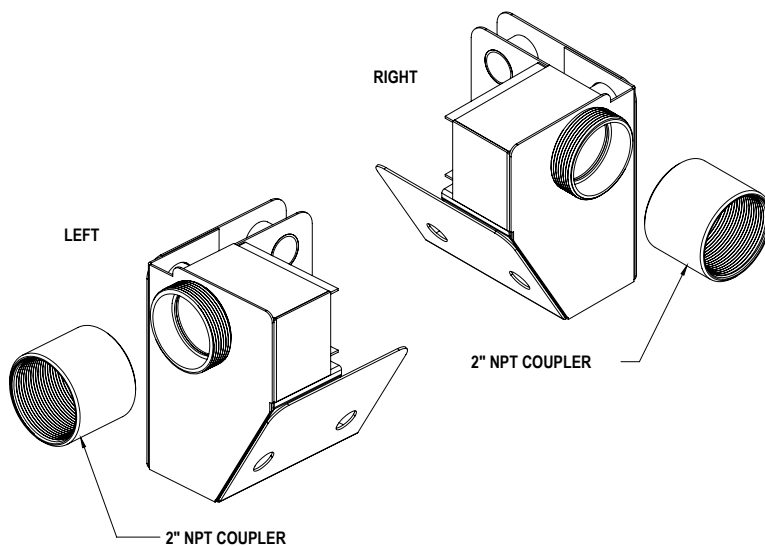


LEFT



RIGHT

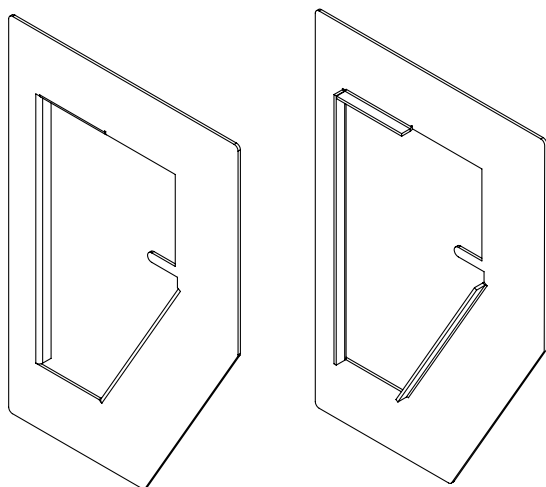
THROUGH-WALL RUN END CONNECTOR


PRODUCT CODE
SLC-TWK-REC-LT
SLC-TWK-REC-RT

The dual function Secure Large Carrier™ Through-Wall Run End Connector provides a solution for ending a section of Secure Large Carrier™ (SLC) Raceway within a hallway or room and offers an integrated 2" through-wall to transition to 2"x 2" Secure Raceway or other Holocom PDS component. Two manufactured mounting points allow simplified, labor-saving installation. The upper mounting point aligns with the mounting point on the end of the adjoining SLC Raceway. Four (4) integrated one-inch spacers stand the connector and raceway off the wall and allow 360° inspection. Use in conjunction with SLC Secure Raceway Joint (SLC-RW-SRJ) and #2 Through-Wall Kit (SDS-TW-002-12/24). Use the Left Connector for raceway runs that end to the left. Use the Right Connector for raceway runs that end to the right.

- 16-gauge electro-galvanized steel
- One 2" NPT coupler supplied with each connector
- Two (2) manufactured mounting points
- Four (4) integrated one-inch spacers
- Use with Secure Raceway Joint (SLC-RW-SRJ) and #2 Through-Wall Kit (SDS-TW-002-12/24)
- Packaged and sold individually
- Weight 3.9 lbs
- Powder Coat Finish: White Textured

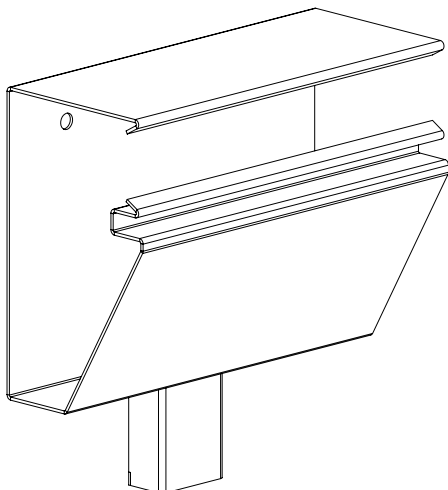
THROUGH-WALL TRIM PLATE KIT


PRODUCT CODE
SLC-TWK-TP

The Secure Large Carrier™ Through-Wall Trim Plate Kit covers the hole made when installing a section of Secure Large Carrier™ Raceway through a wall. The two-piece Trim Plate Kit covers the hole on both sides of the wall.

- 16-gauge electro-galvanized steel
- Weight 1.5 lbs
- Packaged with two (2) trim plates per kit
- Powder Coat Finish: White Textured

SMD DROP CONNECTOR


PRODUCT CODE
SLC-SMD-DP

The Secure Large Carrier™ to Secure Mini Dukt™ Drop Connector provides the transition between Secure Large Carrier™ Raceway and Secure Mini Dukt™, usually leading to a User Drop Box. Installation requires two (2) Mounting Brackets (SLC-WM-MB), two (2) Secure Raceway Joints (SLC-RW-SRJ), and TopCap from the SLC Raceway Kit (SLC-WM-RCW-ST-20). Two (2) manufactured mounting points align with the Mounting Brackets allowing simplified, labor-saving installation and a one-inch standoff.

- 16-gauge electro-galvanized steel on SLC component
- 18-gauge electro-galvanized steel on SMD component
- Two (2) manufactured mounting points 1.5" from each end
- Weight 2.5 lbs
- Powder Coat Finish: White Textured

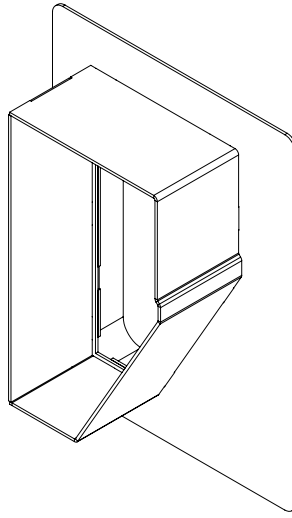


RETROFIT INTERFACE SLEEVE

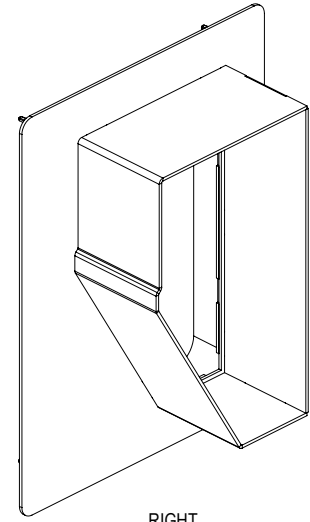
PRODUCT CODE **SLC-RTF-INF-LT** **SLC-RTF-INF-RT**

The Retrofit Interface Sleeve fits any secure enclosure with a depth of six (6) inches or greater and was designed for installation scenarios when the Secure Large Carrier Pull Box 0 (SLC-WM-PB0-H1) is too small for the amount of cabling. The Retrofit Interface Sleeve provides an exit for secure network cables from either the left or right side of the enclosure. A paper installation template is supplied with the Retrofit Interface Sleeve ensuring accurate positioning on the enclosure. Additional copies of the template are available at: <http://holocom.com/pdfs/SLC-RTF-INF-TEMPLATE.pdf>

- 16-gauge electro-galvanized steel
- Fits secure enclosures with a depth of six (6) inches or greater
- Supplied with paper installation template
- Sold individually as SLC-RTF-INF-LT or SLC-RTF-INF-RT
- Weight 1.5 lbs
- Powder Coat Finish: White Textured



LEFT



RIGHT

NOTES:



NOTES:

SECURE LARGE CARRIER™



ABOUT HOLOCOM

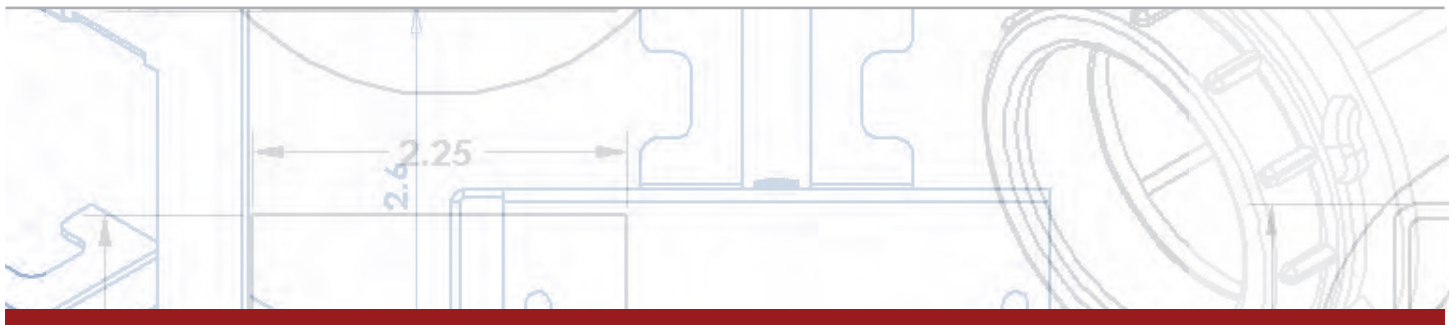
Holocom is the only manufacturer to offer all four Protective Distribution Systems (PDS) solutions approved for SIPRNet and other classified networks:

- Holocom PDS – the industry de facto standard hardened carrier
- Holocom PDS plus alarm for fiber & copper networks
- Alarm plus interlocking armored fiber cable
- Retrofit alarm for non-compliant PDS

Holocom's complete PDS product offering enables customers to meet site and security requirements and conform to the specifications outlined in NSTISSI 7003 and the individual service branch documents.



Toll Free: 888.465.6266 | www.holocom.com | customerservice@holocom.com



HEADQUARTERS
8360 Camino Santa Fe
Suite F
San Diego, CA 92121
Tel: 858.222.6430
Fax: 858.222.6431

Holocom products protected by US Pats. D619,097; D632,763; D580,871; 7,608,780; 7,661,375; 7,183,488; 7,115,814; 7,053,303; 7,049,517; 6,838,616; 5,831,211 and Pats pending. Made in the U.S.A. Holocom and the Holocom logo are registered trademarks of Holocom, Inc. Other noted marks are trademarks of their respective companies.

© 2013 Holocom, Inc. All Rights Reserved.

2.25

2.5